

# VIDEO BALANCE INDICATOR

TYPE BH126

DATA SHEET

- *An essential aid for the installer*
- *Designed for twisted pair cables*
- *Portable hand held unit*
- *Can be operated from internal battery or mains supply*



## **APPLICATION**

*The BH126 Video Balance Indicator will aid the installer in checking and adjusting a range of CCTV equipment. The BH126 is designed for use with twisted pair cables.*

*The unit is connected to the balanced output of the equipment under test. The BH126 will then show if the twisted pair output signals are correctly balanced and if not enable the correct adjustment to be made. If no video signal is detected then a red lamp flashes on the front panel.*

*The BH126 can be operated from its internal battery or from a 12V dc regulated power supply that also charges the unit when connected. The 12V power supply is included with the unit.*

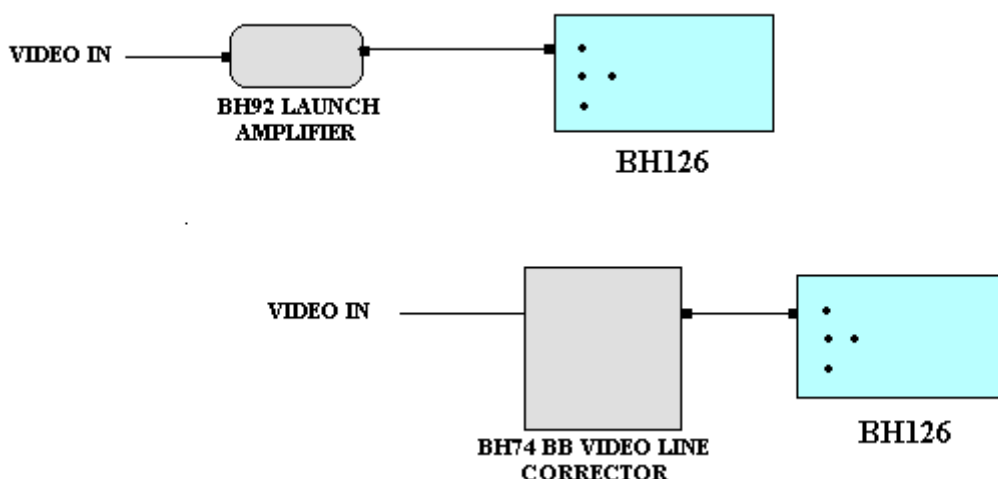
**Addlestone Electronics Ltd.**

DESIGNED AND MANUFACTURED IN UK

# TECHNICAL DATA

## BH126

<b>TWISTED PAIR INPUT CONNECTION</b>	<i>Miniature binding poles.</i>
<b>BALANCED SIGNAL INDICATOR</b>	<i>One green LED to show when balanced and two red LED's to indicate when unbalanced ( on front panel of unit.</i>
<b>NO VIDEO WARNING</b>	<i>Red lamp in centre of front panel.</i>
<b>INTERNAL CALIBRATION CONTROL</b>	<i>Factory set.</i>
<b>POWER REQUIREMENTS</b>	<i>+12V dc regulated supply.</i>
<b>BATTERY LIFE</b>	<i>Approx. 2 hours of average use.</i>
<b>BATTERY RECHARGING PERIOD</b>	<i>Approx. 12 hours for completely flat battery.</i>
<b>BATTERY ON/OFF INDICATOR</b>	<i>Green lamp in left hand side panel of unit.</i>
<b>BATTERY ON/OFF SWITCH</b>	<i>On left hand side panel of unit.</i>
<b>POWER SUPPLY DETAILS</b>	<i>INPUT: 230V ac @ 50 Hz 12 Watts OUTPUT: +12V dc supply - max. of 300 mA /3.6 VA</i>
<b>OPERATING TEMP. RANGE</b>	<i>-10°C to +40°C.</i>
<b>CONSTRUCTION OF BH126 CASING</b>	<i>Casing constructed of moulded FR- ABS plastic.</i>
<b>WEIGHT OF BH126 UNIT</b>	<i>215 grams ( excluding power supply ).</i>
<b>DIMENSIONS OF UNIT</b>	<i>Height 184mm Depth 35mm Width 86mm ( excluding switch )</i>



## Addlestone Electronics Ltd

Springfields, Church Lane,

Bisley, Woking, Surrey. GU24 9EA

Telephone: (01483) 480969 Fax: (01483) 797268

E-mail: [sales@addlestone-electronics.co.uk](mailto:sales@addlestone-electronics.co.uk)

Web Site: [www.addlestone-electronics.co.uk](http://www.addlestone-electronics.co.uk)

