

VIDEO LOSS DETECTOR

TYPE BH109/NO

DATA SHEET

- *22 channels*
- *Internal relays to operate alarm circuits*
- *Warning lights in front panel*
- *Suitable for colour or monochrome video signals*



APPLICATION

The BH109 unit will alert staff to the loss of video signals from up to twenty-two cameras whether from electrical failure or deliberate interference with the cameras or their power and video cables.

When an incoming video signal drops below 0.5V (-6dB) relay contacts close which can be used to operate an alarm circuit or other equipment. In addition each of the 22 channels has a warning light on the front panel of the unit which comes on when the relevant video signal fails.

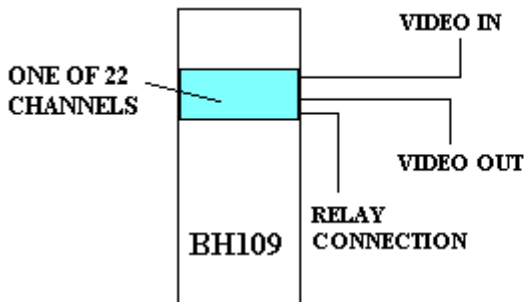
Addlestone Electronics Ltd

DESIGNED AND MANUFACTURED IN UK

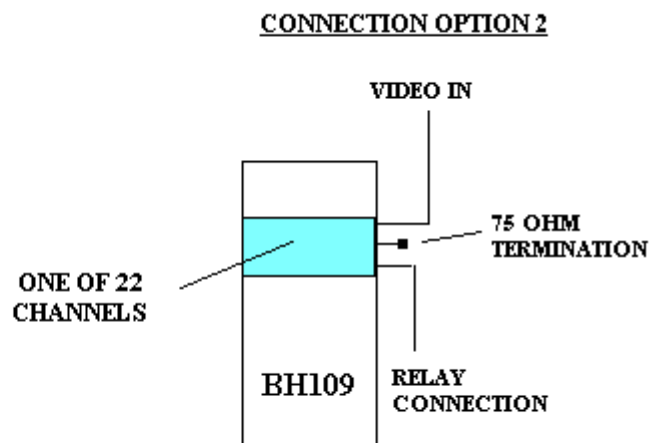
TECHNICAL DATA

BH109/NO

INPUT SIGNAL REQUIREMENT	Composite video in colour or monochrome or other wide band signals within a frequency bandwidth of between 30Hz to 5MHz.
INPUT SIGNAL AMPLITUDE	Nominal 1Volt peak to peak.
OUTPUT SIGNAL AMPLITUDE	Nominal 1Volt peak to peak terminated in 75 ohms.
INPUT / OUTPUT CONNECTORS	Input and output connectors are all 75 ohm BNC type.
RELAY CONTACTS	Normally open (when 12V supply is on and video is detected).
MAXIMUM RELAY CONTACT VOLTAGE	24V dc.
MAXIMUM RELAY CONTACT CURRENT	1A
CONNECTION TO RELAYS	Via miniature sockets on rear panel.
UNIT POWER REQUIREMENTS	Two 12V DC regulated power supplies (supplied with unit).
POWER CONSUMPTION	Approximately 35 watts.
PERMISSIBLE AMBIENT OPERATING TEMPERATURE	-10°C to +40°C.
WEIGHT OF EQUIPMENT	6.4 Kg
DIMENSIONS OF EQUIPMENT	Height 133mm (3U) Depth 310mm - excluding connectors Width 483mm (19 inches)



CONNECTION OPTION 1



Addlestone Electronics Ltd

Springfields, Church Lane,
Bisley, Woking, Surrey. GU24 9EA

Telephone: (01483) 480969 Fax: (01483) 797268

E-mail: sales@addlestone-electronics.co.uk

Web Site: www.addlestone-electronics.co.uk

