

# 7108 & 7128

## Electric Strike



### Function

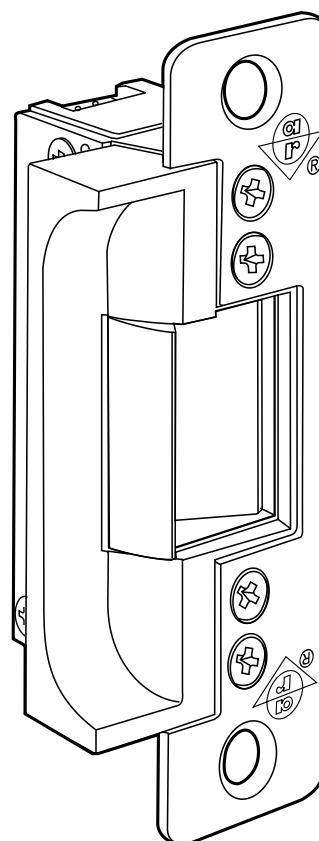
For remote access control of any narrow stile aluminium or timber/steel door where conformance to BS EN 1125 or BS EN 179 is required. Electrical actuation unlocks the strike jaw, releasing the latchbolt so the door can be opened without operating the latch itself. The compact mechanism fits into a jamb section as shallow as 44.45mm.

The 7108 Series have flat faceplates for mounting in the frame of single action, single leaf aluminium doors; for single leaf, single action timber/steel doors, specify the 7128 Series.

**Note:** For maximum security specify an MS® Deadlock in conjunction with the electric strike/latch combination.

### Specifications

Current Draw:	12vAC=1.48A, 12vDC=0.332A, 24vAC=0.74A, 24vDC=0.19A (nominal). DC intermittent and continuous units are silent, AC intermittent units "buzz" on operation.
Voltage Tolerance:	±10%.
Powered By:	Internal solenoid.
Monitoring:	(Optional) Single: Latch only, Double: Latch & solenoid.
Duty:	Fail-safe or fail-secure (convertible without additional parts). DC power supply required for fail-safe operation.
Jaw Strength:	907kg (2000lbs).
Case:	85.6mm x 31.8mm x 42.5mm. Zinc aluminium alloy.
Mechanism:	Stainless steel internal blocking mechanism.
Strike Opening:	36.5mm x 15.9mm x 12.7mm. Architectural bronze bolt retainer jaw.
Door Gap:	Minimum 3mm (1/8"), operational door gap 3-5mm.
Faceplate:	Aluminium. 123.7mm x 31.8mm. Flat. (7108 has radius corners, 7128 has square corners).
Finishes:	See ordering codes.
Subcover:	Basic subcover lip will suit a 44.45mm (1 3/4") thick door that closes flush with jamb edge. For extended bolt-on subcovers see ordering codes.
Standards:	ANSI/BHMA 156.5 Grade 1. UL Listed for burglary resistance.



### Standards Conformity

**To conform with BS EN 1125: 1997+A1:2001:**

The 7108 or 7128 strikes **must** be used with the 930 or 940 Series Exit Device

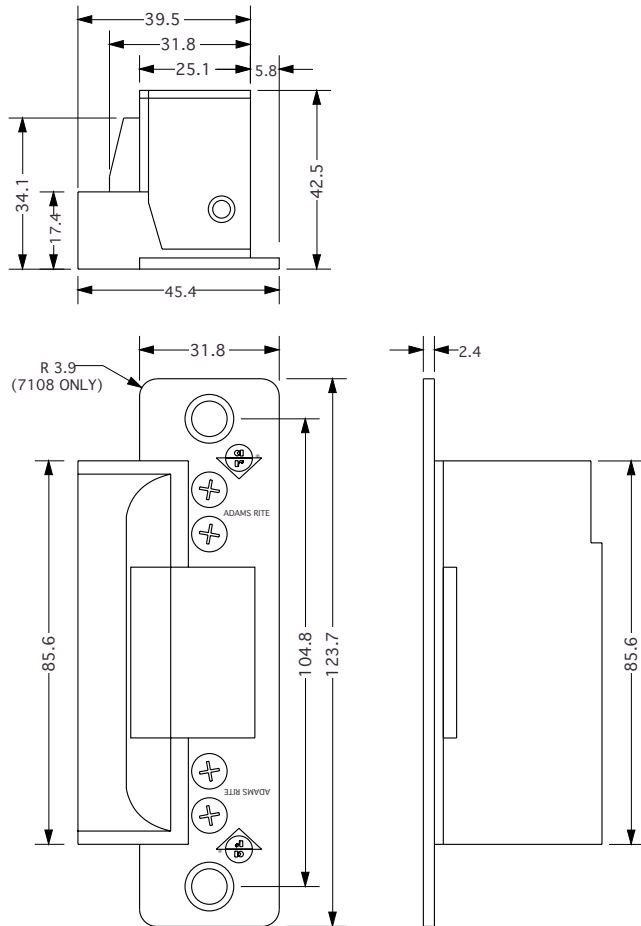
**To conform with BS EN 179: 1998 +A1:2001:**

The 7108 or 7128 strikes **must** be used with the:

4710 Heavy Duty Deadlatch or 4720ANSI Deadlatch and 4591 Push Paddle Handle

4750 Heavy Duty Deadlatch and 4596 Push Paddle Handle

## Dimensions



## Ordering Codes Matrix

**7108 - 3 1 0 - 628 - 1**

### Model Number

7108 for 940 Exit Device  
7128 for 930 Exit Device

### Voltage

3 12 volt  
5 24 volt

### Current and Duty

1 DC Continuous or intermittent  
4 AC Intermittent (fail-secure only)

### Features

0 Standard/Fail-Secure  
5 Standard/Fail-Safe  
7 Monitored/Fail-Safe  
9 Monitored/Fail-Secure

### Finish

628 Satin Aluminium  
605 Bright Brass  
612 Satin Bronze  
613 Oil Bronze  
313 Bronze  
335 Black

### Options

1 Single Monitoring (Latch only)  
2 Double Monitoring (Latch and Solenoid)

### Subcover Extension Codes (order separately)

Order Code	Dimension*	Order Code	Dimension*
91-0173-01	38.1mm (1.50")	91-0173-08	60.5mm (2.38")
91-0173-02	41.4mm (1.63")	91-0173-09	63.5mm (2.50")
91-0173-03	44.5mm (1.75")	91-0173-10	66.8mm (2.63")
91-0173-04	47.8mm (1.88")	91-0173-11	69.9mm (2.75")
91-0173-05	50.8mm (2.00")	91-0173-12	73.2mm (2.88")
91-0173-06	54.1mm (2.13")	91-0173-13	76.2mm (3.00")
91-0173-07	57.2mm (2.25")		

\*Dimension from door centreline to jamb edge.

## Related Hardware

RiteKey Keypad (p54) ~ Push-to-Exit Button (p56) ~ Power Supply Unit (p58)

4710 Heavy Duty Deadlatch ~ 4720ANSI Deadlatch ~ 4750 Deadlatch ~ 4591 Paddle Handle

4596 Europrofile Operation Paddle Handle ~ 930 Exit Device ~ 940 Exit Device