

7100

Electric Strike for Single Leaf Aluminium Doors



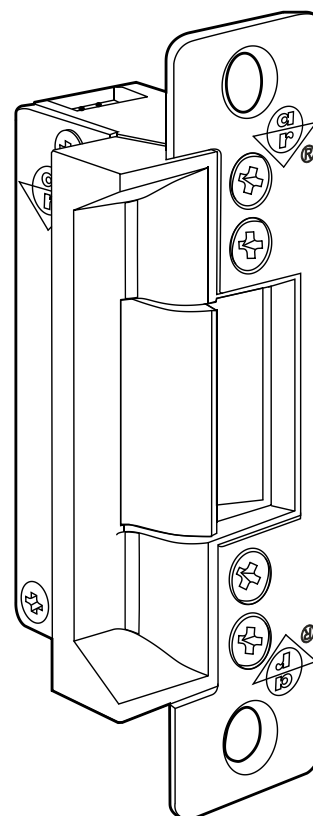
Function

For remote access control of any narrow stile aluminium door equipped with Adams Rite 4700 series (or similar) deadlatch. Electrical actuation unlocks the strike jaw, releasing the latchbolt so the door can be opened without operating the latch itself. The compact mechanism fits into an aluminium jamb section as shallow as 44.45mm. The 7100 Series have flat faceplates for mounting in the frame of single action single leaf doors - for single action pairs of doors (radius nose/faceplate), specify the 7101 Series (see page 6).

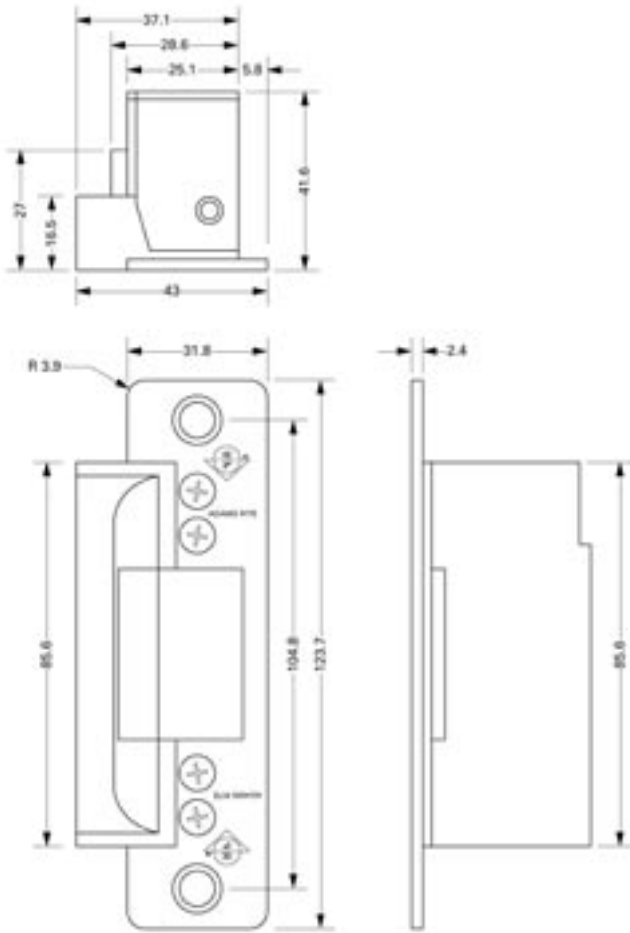
Note: For maximum security specify an MS® Deadlock in conjunction with the electric strike/latch combination.

Specifications

Current Draw:	12vAC=1.48A, 12vDC=0.332A, 24vAC=0.74A, 24vDC=0.19A (nominal). DC intermittent and continuous units are silent, AC intermittent units "buzz" on operation.
Voltage Tolerance:	±10%.
Powered By:	Internal solenoid.
Monitoring:	(Optional) Single: Latch only, Double: Latch & solenoid.
Duty:	Fail-safe or fail-secure (convertible without additional parts). DC power supply required for fail-safe operation.
Jaw Strength:	907kg (2000lbs).
Case:	85.6mm x 28.6mm x 41.6mm. Zinc aluminium alloy.
Mechanism:	Stainless steel internal blocking mechanism.
Strike Opening:	36.5mm x 15.9mm x 12.7mm. Stainless steel bolt retainer jaw.
Door Gap:	Minimum 3mm (1/8"), operational door gap 3-5mm.
Faceplate:	Aluminium. 123.7mm x 31.8mm. Flat.
Finishes:	See ordering codes.
Subcover:	Basic subcover lip will suit a 44.45mm (1 3/4") thick door that closes flush with jamb edge. For extended bolt-on subcovers see ordering codes.
Standards:	ANSI/BHMA 156.5 Grade 1. UL Listed for burglary resistance.



Dimensions



Ordering Codes Matrix

7100 - 3 1 0 - 628 - 1

Model Number	7100 Flat	_____	_____	_____	_____
Voltage	3 12 volt	_____	_____	_____	_____
	5 24 volt	_____	_____	_____	_____
Current and Duty	1 DC Continuous or intermittent	_____	_____	_____	_____
	4 AC Intermittent (fail-secure only)	_____	_____	_____	_____
Features	0 Standard/Fail-Secure	_____	_____	_____	_____
	5 Standard/Fail-Safe	_____	_____	_____	_____
	7 Monitored/Fail-Safe	_____	_____	_____	_____
	9 Monitored/Fail-Secure	_____	_____	_____	_____
Finish	628 Satin Aluminium	_____	_____	_____	_____
	605 Bright Brass	_____	_____	_____	_____
	612 Satin Bronze	_____	_____	_____	_____
	613 Oil Bronze	_____	_____	_____	_____
	313 Bronze	_____	_____	_____	_____
	335 Black	_____	_____	_____	_____
Options	1 Single Monitoring (Latch only)	_____	_____	_____	_____
	2 Double Monitoring (Latch and Solenoid)	_____	_____	_____	_____

Subcover Extension Codes (order separately)

Order Code	Dimension*	Order Code	Dimension*
91-0171-01	38.1mm (1.50")	91-0171-08	60.5mm (2.38")
91-0171-02	41.4mm (1.63")	91-0171-09	63.5mm (2.50")
91-0171-03	44.5mm (1.75")	91-0171-10	66.8mm (2.63")
91-0171-04	47.8mm (1.88")	91-0171-11	69.9mm (2.75")
91-0171-05	50.8mm (2.00")	91-0171-12	73.2mm (2.88")
91-0171-06	54.1mm (2.13")	91-0171-13	76.2mm (3.00")
91-0171-07	57.2mm (2.25")		

*Dimension from door centreline to jamb edge.

Related Hardware

RiteKey Keypad (p54) ~ Push-to-Exit Button (p56) ~ Power Supply Unit (p58) ~ 4710 Deadlatch ~ 4750 Deadlatch

7101

Electric Strike for Double Leaf Aluminium Doors



Function

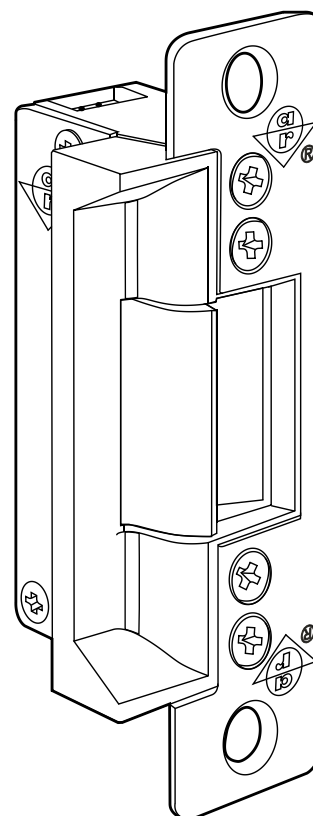
For remote access control of any narrow stile aluminium door equipped with Adams Rite 4700 series (or similar) deadlatch. Electrical actuation unlocks the strike jaw, releasing the latchbolt so the door can be opened without operating the latch itself. The compact mechanism fits into an aluminium door section as shallow as 44.45mm.

Virtually identical to the 7100 Series, the 7101 has a radiused faceplate for mounting in the rounded nose in the inactive leaf of paired doors.

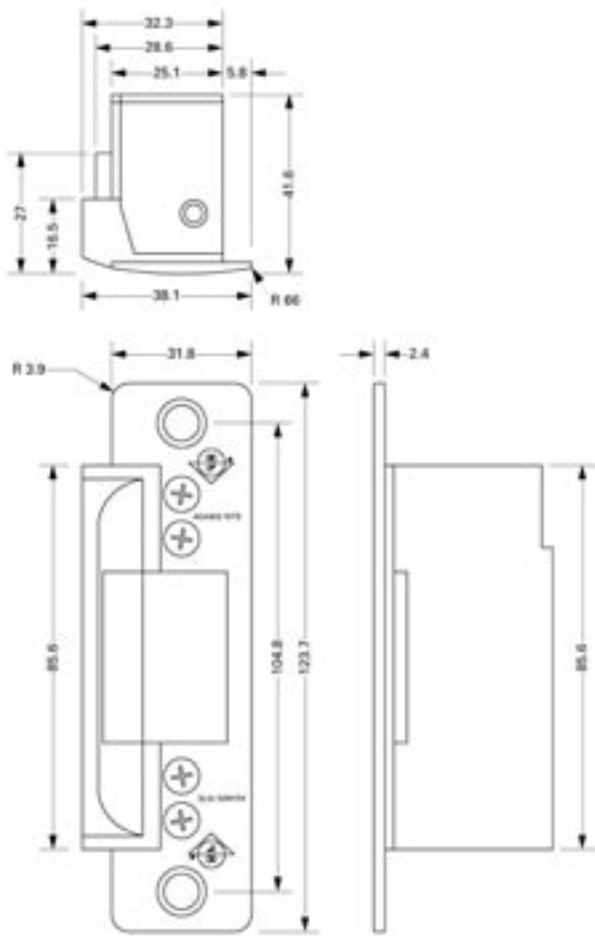
Note: For maximum security specify an MS® Deadlock in conjunction with the electric strike/latch combination.

Specifications

Current Draw:	12vAC=1.48A, 12vDC=0.332A, 24vAC=0.74A, 24vDC=0.19A (nominal). DC intermittent and continuous units are silent, AC intermittent units "buzz" on operation.
Voltage Tolerance:	±10%.
Powered By:	Internal solenoid.
Monitoring:	(Optional) Single: Latch only, Double: Latch & solenoid.
Duty:	Fail-safe or fail-secure (convertible without additional parts). DC power supply required for fail-safe operation.
Jaw Strength:	907kg (2000lbs).
Case:	85.6mm x 28.6mm x 41.6mm. Zinc aluminium alloy.
Mechanism:	Stainless steel internal blocking mechanism.
Strike Opening:	36.5mm x 15.9mm x 12.7mm. Stainless steel bolt retainer jaw.
Door Gap:	Minimum 3mm (1/8"), operational door gap 3-5mm.
Faceplate:	Aluminium. 123.7mm x 31.8mm. Radiused.
Finishes:	See ordering codes.
Subcover:	Subcover lip will suit a 44.45mm (1 3/4") thick door.
Standards:	ANSI/BHMA 156.5 Grade 1. UL Listed for burglary resistance.



Dimensions



Ordering Codes Matrix

7101 - 3 1 0 - 628 - 1

Model Number	7101 Radius	_____	_____	_____	_____
Voltage	3 12 volt	_____	_____	_____	_____
	5 24 volt	_____	_____	_____	_____
Current and Duty	1 DC Continuous or intermittent	_____	_____	_____	_____
	4 AC Intermittent (fail-secure only)	_____	_____	_____	_____
Features	0 Standard/Fail-Secure	_____	_____	_____	_____
	5 Standard/Fail-Safe	_____	_____	_____	_____
	7 Monitored/Fail-Safe	_____	_____	_____	_____
	9 Monitored/Fail-Secure	_____	_____	_____	_____
Finish	628 Satin Aluminium	_____	_____	_____	_____
	605 Bright Brass	_____	_____	_____	_____
	612 Satin Bronze	_____	_____	_____	_____
	613 Oil Bronze	_____	_____	_____	_____
	313 Bronze	_____	_____	_____	_____
	335 Black	_____	_____	_____	_____
Options	1 Single Monitoring (Latch only)	_____	_____	_____	_____
	2 Double Monitoring (Latch and Solenoid)	_____	_____	_____	_____

Related Hardware

RiteKey Keypad (p54) ~ Door Loop and Push-to-Exit Button (p56) ~ Power Supply Unit (p58)
 4710 Deadlatch ~ 4750 Deadlatch