

MS Maglock

Magnetic and Mechanical Lock



Function

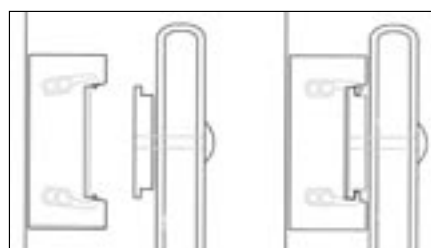
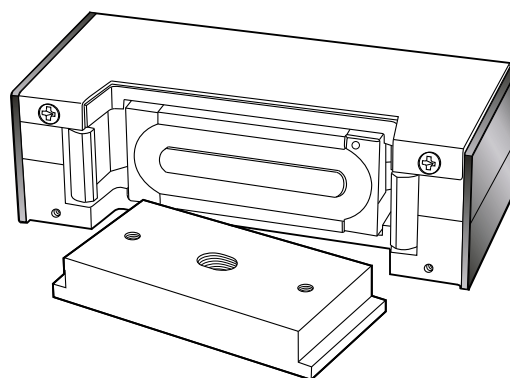
To facilitate remote access and exit control of any aluminium, timber or steel door. The MS Maglock is designed with two hardened steel mandibles which are spring loaded to clamp down on the armature in the event of a forced entry attempt. The magnet should be installed with the supplied mounting plate and screws to achieve a holding force of 1800kg (4000lbs) when the mandibles are engaged. The MS Maglock at all times provides fail-safe operation (unless power supply continued during power failure by means of a battery back up). A separate mounting plate is supplied for ease of installation.

Note: For maximum security specify an MS® Deadlock in conjunction with the magnet.

Specifications

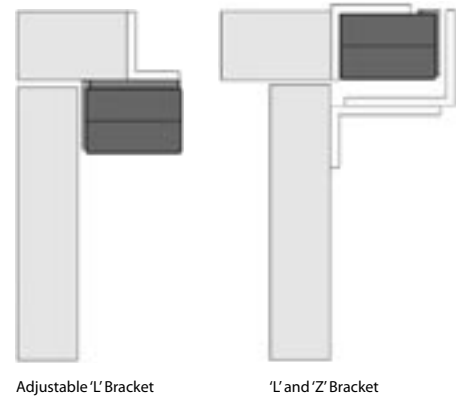
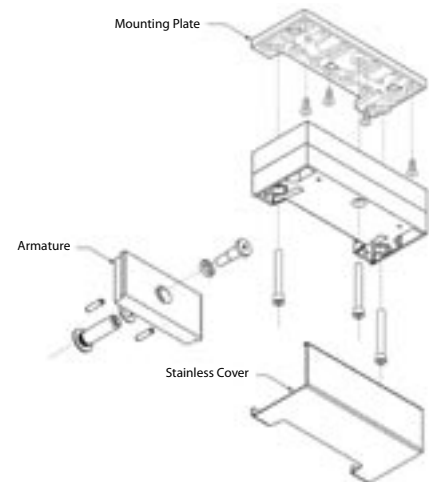
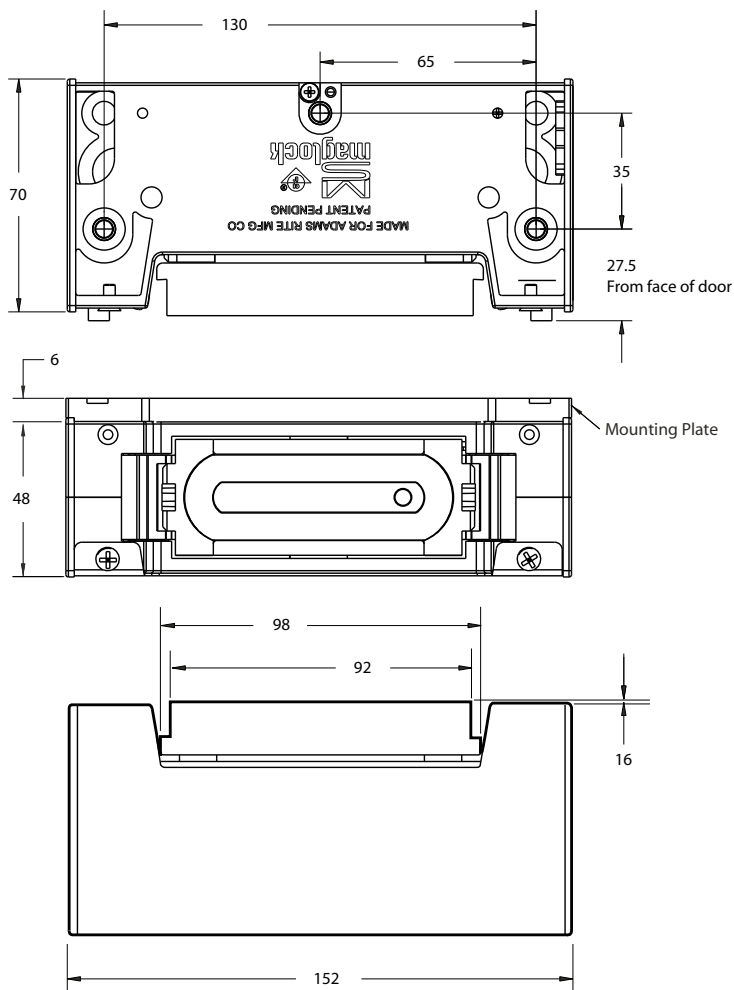
Magnet Dimensions:	54mm x 152mm x 70mm.
Armature Dimensions:	16mm x 98mm x 48mm.
Nominal Holding Force:	1800kg (4000lbs), (see above).
Supply Voltage:	12 to 24v AC or DC (+10%).
Nominal Current:	130mA max. @ 12vAC, 250mA max. @ 24vAC. 100mA max. @ 12vDC, 200mA max. @ 24vDC.
Monitoring Option:	Door position and tamper sensors.
Door Gap:	Maximum 3mm.
Positioning:	Outward opening - surface mounted to door frame header. Inward opening - door frame header using 'L' & 'Z' brackets.
Magnet Housing:	Satin stainless steel with black end caps.
Note:	To achieve immediate release, it is important that the release switch breaks the circuit between the power supply and the magnet.

International Patent Pending



The MS Maglock utilises a pair of hardened steel mandibles that spring out to grip the armature in the event of a forced entry.

Dimensions



Ordering Codes

- 1500-630** Surface mounted, magnetic & mechanical lock, 12-24v AC/DC, non-monitored, suitable for timber or metal door applications.
- 1500M630** Surface mounted, magnetic & mechanical lock, 12-24v AC/DC, double monitored, suitable for timber or metal door applications.
- 1500-800** 'L' & 'Z' bracket, matt black finish.
- 1500-700** Adjustable 'L' bracket, matt black finish.
- 1500-600** Housing, stainless steel to suit adjustable 'L' bracket.

Related Hardware

4591M & 999M Monitored Paddle Handle & Exit Device Switching Accessories (p48) ~ RiteKey Keypad (p54)
 Push-to-Exit Button (p56) ~ Power Supply Unit (p58)