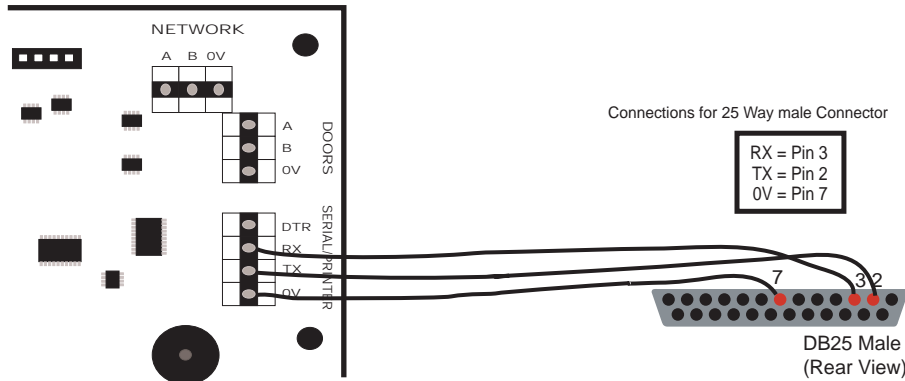


Modem Configuration

Direct Connection from Modem to Controller

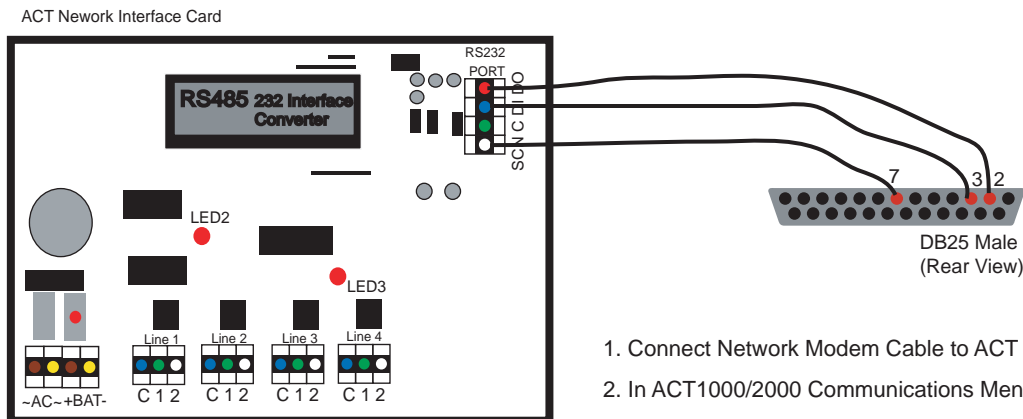


1. Connect Modem Cable directly to ACT1000/2000 and Modem
2. In Communications Menu Set:
Address = 1
Direct Conn = Y
3. Controller is now ready to receive calls

ACT 2000

Max cable length is 5m using standard alarm cable or 30m using twin twisted-pair (use 0V in each pair)

Modem Connection for ACT Network



1. Connect Network Modem Cable to ACT Network card and Modem
2. In ACT1000/2000 Communications Menu set the controller Address and set Direct Conn = N
3. Controller(s) now ready to receive calls

ACTWin Setup for Modem Operation

1. Connect the ACT modem to the PC and install modem driver.
2. In ACTWin 2.0 go to the View->Options->Comms dialog box.
3. Select the newly installed modem as the Dialup Modem.
4. Configure the remote site name and telephone number in the Location Manager.
5. Set up remote controller(s) in the Controller View. Set the location as the remote site name.
6. The controller(s) will appear under the remote site name in the System View window.
7. Double click on the telephone icon beside the remote site name in System View window.
8. Modem will now contact remote Site and connect to the controller(s).
9. To finish the call, click the disconnect button on ACTWin

(18-00022)