

IR LED Illuminator



FEATURES

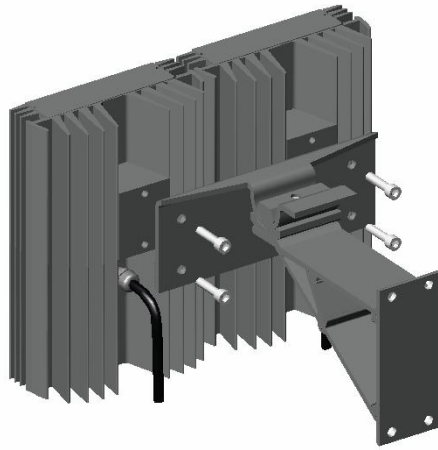
- Compact chassis
- MTBF > 100,000 hours

SPECIFICATIONS

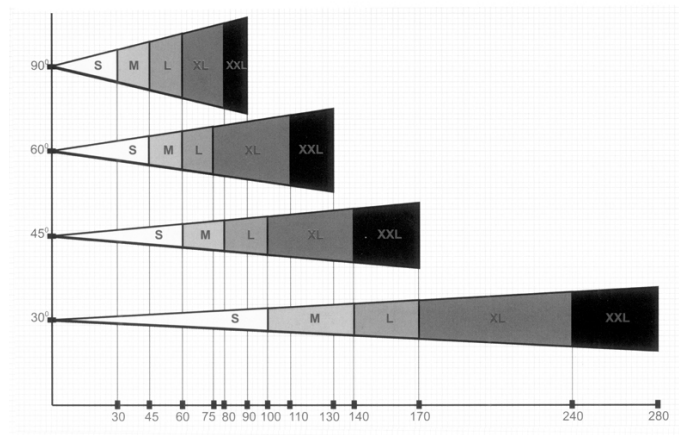
Optical Wavelength	880 nm
Max. IR Distance	60 m
Beam Angle	90°
Protection Rating	IP66
MTBF at 25° C	> 100,000 hours
Supply Voltage	12 VDC / 220 VAC
Including	Bracket & PSU included
Power Consumption	36 W
Weight	1.88 kg
Dimensions w*h*d	219 x 200 x 134 mm

IR LED Illuminator

DIMENSIONS



Angles of view



IR LED Illuminator

ACCESSORIES



AST ST3
IR LED Illuminator wall bracket

