

IR LED Illuminator



FEATURES

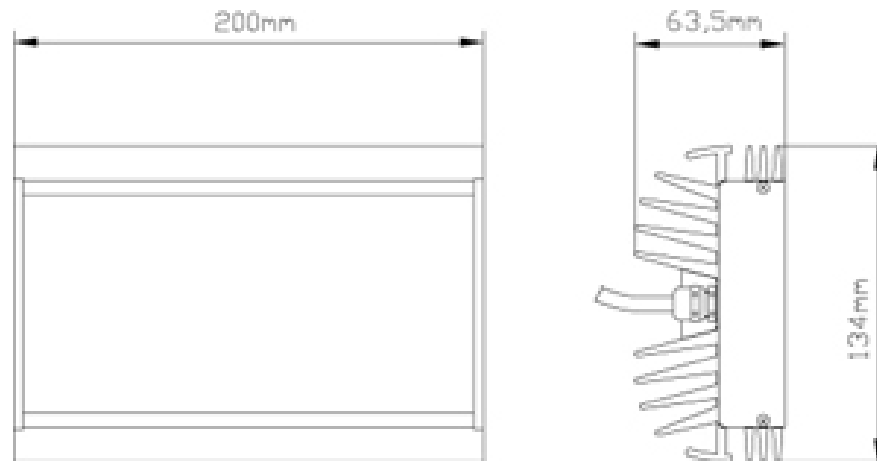
- Compact chassis
- Invisible with 950nm wavelength
- MTBF > 100,000 hours

SPECIFICATIONS

Optical Wavelength	940 nm
Max. IR Distance	70 m
Beam Angle	20°
IP Class	66
MTBF at 25° C	> 100,000 hours
Supply Voltage	12 VDC +6%, -6%
Power Consumption	40 W
Weight	1.6 kg
Dimensions w*h*d	200 x 134 x 64 mm

IR LED Illuminator

DIMENSIONS



ACCESSORIES



ASTST3
IR LED Illuminator wall bracket