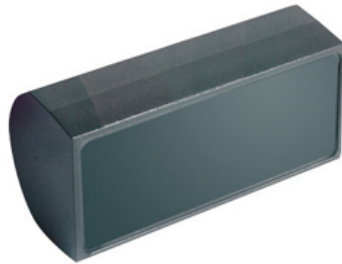


IR LED Illuminator



FEATURES

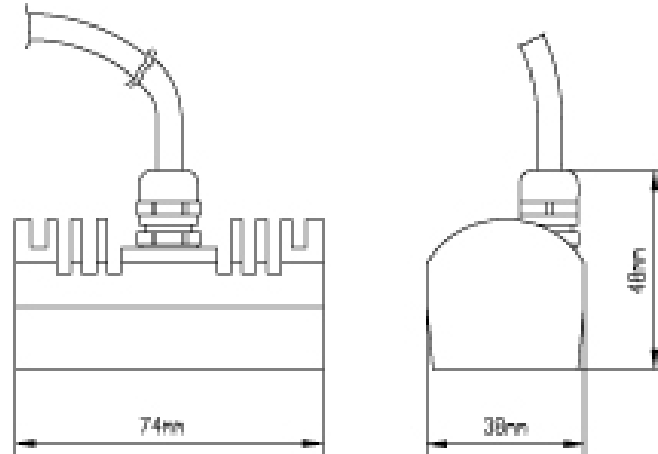
- Compact chassis
- Invisible with 950nm wavelength
- MTBF > 100,000 hours

SPECIFICATIONS

Optical Wavelength	940 nm
Max. IR Distance	20 m
Beam Angle	25°
IP Class	66
MTBF at 25° C	> 100,000 hours
Supply Voltage	12 VDC +6%, -6%
Power Consumption	2.5 W
Weight	0.25 kg
Dimensions w*h*d	74 x 38 x 48 mm

IR LED Illuminator

DIMENSIONS



ACCESSORIES



ASTST1
IR LED Illuminator wall bracket



ASTST2
IR LED Illuminator wall bracket