

1/3" Vandal Resistant Fixed Dome  
Camera



---

## FEATURES

---

- DSP (Digital Signal Processor)
- 1/3" Sony ExView CCD
- 540/570 TVL Horizontal Resolution
- 3 Way Axis Gimbal, wall mountable
- Day & Night Function
- Removable IR CUT Filter
- DIP Switch control of Day & Night Switching time delay, Flickerless, BLC and White Balance
- Varifocal Lens:  $f = 2.9 - 10$  mm, auto iris
- Weatherproof Outdoor Installation (IP66)
- Power Input AC24V/DC12V

---

## SUMMARY

---

This colour camera is capable of superb observation, thanks to its state-of-the-art implementation of 1/3" CCD 470,000 pixels. It is easy to install due to its antivandal camera enclosure.

Through the use of SONY CCD and the outstanding digital signal process, this camera provides extremely sharp image quality. By using backlight compensation function, it is able to give brighter and sharper images of an object darkened by background lighting or sunlight. Particularly, it applies the highly sensitive ExView CCD, which allows optimum observation of parking lots or building interiors that are dimly lit at best. Through the perfect Auto/Manual white balance function, the camera ensures accurate representation of colours under any environment. The IP66 class vandal resistant camera can be applied directly in outdoor environment.

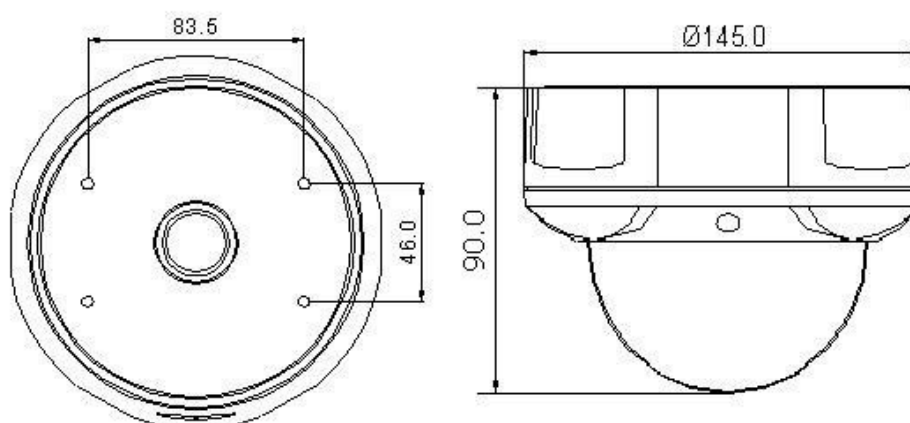
The camera supports easy installation since it can be powered both AC24V and DC12V (nonpolar) with the use of power adapter.

1/3" Vandal Resistant Fixed Dome  
Camera

### SPECIFICATIONS

Image Sensor	1/3" CCD Sony ExView
Scanning System	PAL, 50Hz, 2:1 Inter Line Transfer
Pixels - total	795 x 596
Pixels - Effective	752 x 582
Resolution	540 (H) lines colour, 570 (H) lines b&w
Sensitivity	0.5 lux (Colour) 0.01 lux (B&W)
S/N Ratio	48 dB
BLC	On/Off
AGC	On
White Balance	ATW, AWC
Lens Focal Length	2.9 ~ 10 mm
Lens Drive Type	DC auto iris
Shutter Speed	1/50 sec to 1/100,000 sec
IP Class	66
Video Output(s)	1 CVBS, 1Vpp, BNC & 1 test monitor out
Operating Temperature	-10°C ~ +50°C
Supply Voltage	12 VDC / 24 VAC
Power Consumption	3 W
Weight	0.75 kg
Dimensions w*h*d	Ø 145 x 90 mm

### DIMENSIONS



Design and specifications are subject to change without notice

Status 03/2008