

1/3" CCD Colour/B&amp;W Camera



---

**FEATURES**

---

- 1/3" Sony Super HAD CCD 330,000 pixels
- 420 TV Lines Horizontal Resolution
- Day & Night Function
- 0 Lux: Integrated LED IR Illuminator
- Lens: f = 6.0 mm
- Weatherproof Outdoor Installation (IP66)
- Power Input DC12V

---

**SUMMARY**

---

Colour camera of 1/3" CCD 330,000 pixels mainly in outdoor applications.

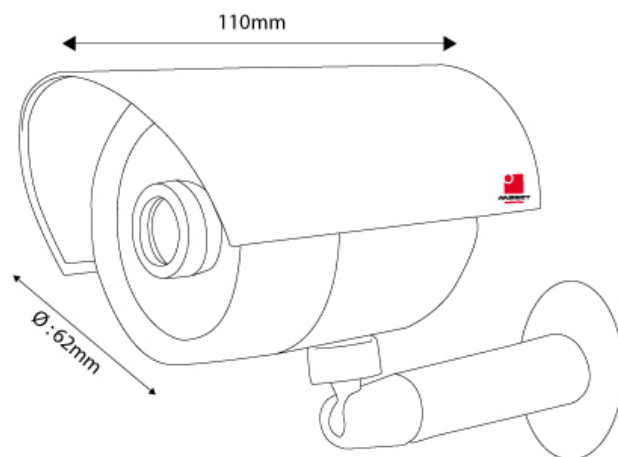
Through the use of SONY CCD and the outstanding digital signal process, this camera provides extremely sharp image quality. By using backlight compensation function, it is able to give brighter and sharper images of an object darkened by background lighting or sunlight. Particularly, it applies the highly sensitive Super HAD CCD, which allows optimum observation of parking lots or building interiors that are dimly lit at best. IR LEDs provide an excellent image quality even at 0 lux.

The IP66 class camera can be applied directly in outdoor environment.

1/3" CCD Colour/B&amp;W Camera

**SPECIFICATIONS**

Image Sensor	1/3" CCD (Sony Super HAD)
Scanning System	PAL, 50Hz, 2:1 Inter Line Transfer
Pixels - Effective	500 x 582
Resolution	420 (H) lines
S/N Ratio	48 dB
Sensitivity Colour	0.2 lux
Sentitivity B&W	0 Lux LED IR on
Lens Focal Length	6.0 mm
IR LED	28 pcs.
Shutter Speed	1/50 sec to 1/100,000 sec
IP Class	66
Video Output(s)	1 CVBS, 1Vpp, BNC
Operating Temperature	-10°C ~ +50°C
Humidity	less than 90%
Supply Voltage	12 VDC +10%, -5%
Power Consumption	6 W
Weight	0,4 kg
Dimensions w*h*d	Ø 62 x 96 mm

**DIMENSIONS**

Design and specifications are subject to change without notice

Status 02/2008