

1/2" Vario Lens DC AI



---

## FEATURES

---

- IR corrected for Day/Night cameras
- With cable and plug
- Locking mechanism for focusing and zooming
- Compact chassis

---

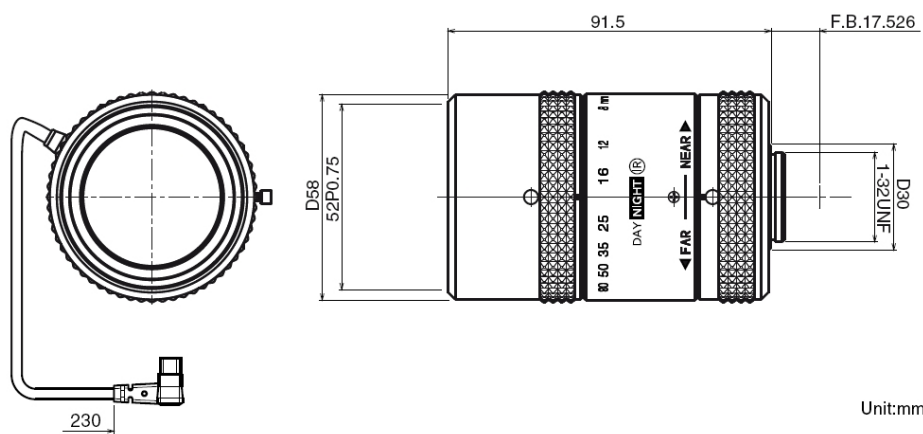
## SPECIFICATIONS

---

Image Size	1/2"
Focal Length	8 ~ 80 mm
Aperture Ratio	F 1.6 ~ 360
Lens Drive Type	DC auto iris
Lens Mount	C-mount
Minimum Object Distance	0.1 m
Viewing Angle Tele	4°7'(H), 3°6'(V)
Viewing Angle Wide	46°6'(H), 34°3'(V)
Weight	0.400 kg
Dimensions w*h*d	ø 58 x 91.5 mm

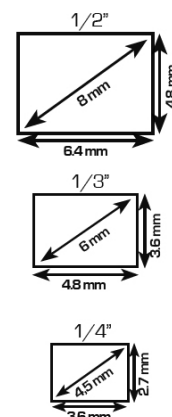
1/2" Vario Lens DC AI

**DIMENSIONS**



**Angles of view**

Focal Length		1.6	2.2	2.8	3	3.5	3.8	4	5	6	8	9	10
Viewing Angle	1/2"	-	154°	121°	113°	97.0°	89.3°	84.8°	67.9°	56.6°	42.4°	37.7°	33.9°
	1/3"	162°	118°	92.9°	86.7°	74.3°	68.4°	65.0°	52.0°	43.3°	32.5°	28.9°	26.0°
	1/4"	122°	88.9°	69.8°	65.2°	55.9°	51.4°	48.9°	39.1°	32.6°	24.4°	21.7°	19.5°
		12	16	25	50	75	105	120	180	240	360	660	1320
Viewing Angle	1/2"	30.8°	23.1°	14.8°	7.38°	4.92°	3.51°	3.08°	2.05°	1.54°	1.03°	0.56°	0.28°
	1/3"	23.0°	17.2°	11.0°	5.51°	3.67°	2.62°	2.30°	1.53°	1.15°	0.77°	0.42°	0.21°
	1/4"	16.7°	12.5°	7.99°	4.00°	2.66°	1.90°	1.67°	1.11°	0.83°	0.56°	0.30°	0.15°



The lenses with image format of 1", 2/3", 1/2", 1/3" and 1/4" can be used with cameras of smaller sensor formats. The viewing angles change proportionally with the sensor format of the camera.