

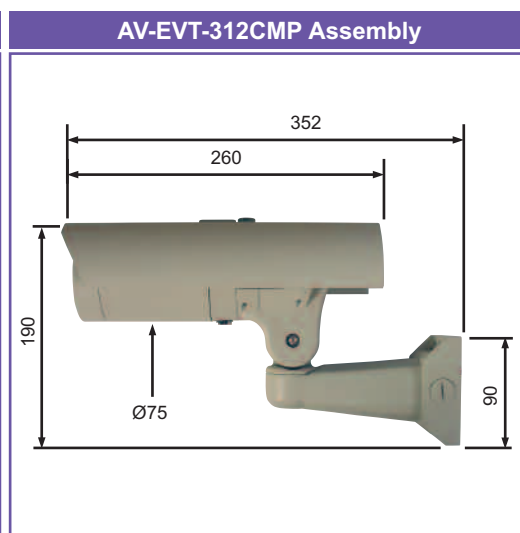
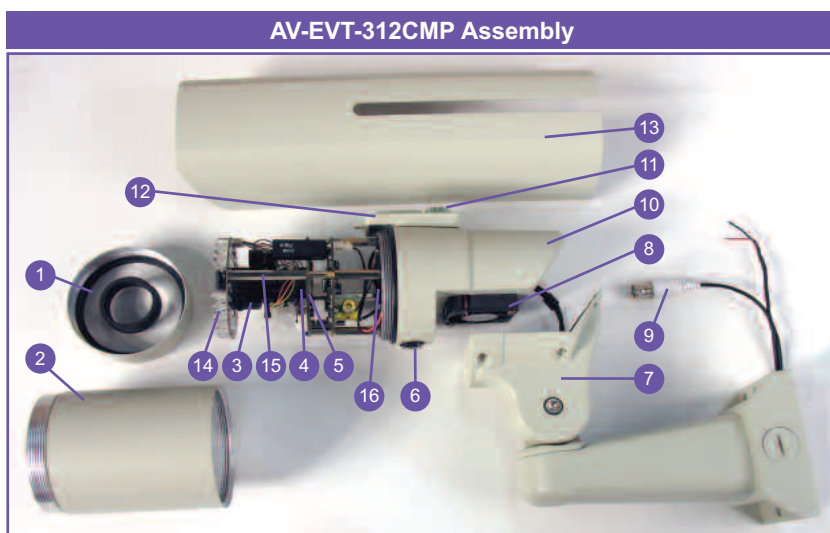


### Avalon vandal resistant, IP66, true day/night bullet camera

- High resolution ▶ 1/3" Sony® Super HAD CCD with 550TVL resolution.
- External use ▶ IP66 certified weather resistant housing.
- True day/night (mechanical cut filter) ▶ Automatic change over from colour to black and white operation occurs when scene light levels fall to 0.1 Lux. The built-in mechanical infra-red "Cut Filter" used in day time colour operation is automatically removed at night. In black and white mode, the camera becomes sensitive to infra-red light, operating at 0.0 Lux with the LEDs on.
- 12vDC/24vAC ▶ Automatic power sensing and switching enables either 12vDC or 24vAC operation.
- Infra red LED array ▶ Built-in Infra Red LEDs automatically switch on in low light conditions. Their range is adjusted from 10m up to 30m during installation to correspond with the varifocal lens settings for optimal picture quality.
- Varifocal lens ▶ Built-in 3.7 to 12mm F1.0 varifocal, aspherical lens to suit most security applications.
- Integral heater ▶ An integral heater enables cold climate operation.
- Fan cooled ▶ An integral cooling fan enables hot climate operation.
- Security ▶ All cabling runs within the camera housing and bracket for improved vandal resistance.
- Dip switch adjustment ▶ Back light compensation (BLC) and Flickerless (FLKL) can be switched on or off by dip switch control.
- Field support ▶ 360 Vision staff offer full sales and technical support.

**Our Avalon range is concise. We offer all the products necessary to produce a comprehensive CCTV installation along with our own manufactured range. At the core of our product range are functionality, compatibility and reliability.**

External bullet camera with IR	AV-EVT-312CMP	Infra-red LED coverage guide LED range / angle of coverage / varifocal lens adjustment
Colour / mono	Yes	
Imager/sensor	1/3" Super HAD CCD	
Line resolution - colour	450TVL	
Line resolution - mono	560TVL	
Pixels	752(H) x 582(V)	
Lens size - varifocal	3.7 - 12mm	
Min sensitivity - colour	0.1 Lux F1.0	
Min sensitivity - mono	0.0 Lux with LEDs on	
Signal/noise ratio	48dB with AGC off	
Video output	1 V p to p, 75Ω – female BNC connector	
Exposure control	Electronic	
Signal	PAL	
Col/mon changeover	3 levels - menu set up	
Line lock	enable/disable auto sync	
Operating temperature	-50 to 50°C (with heater)	
Operating humidity	30% to 90%	
Power	12vDC or 24vAC regulated PSU - not included	
Power connection	Red = 12vDC(+)/24vAC(-) Black = 12vDC(-)/24vAC(-) Green = common/GND	
Power consumption	1050mA @12vDC with heater and LEDs on	
Recommended PSU	VDI-PSU (not included)	
Moisture ingress	IP66	
Certification / warranty	CE approval / 5 years	



1 Glass holder	Retaining ring for front glass <i>To maintain IP rating, do not unscrew</i>	9 Cable set	Power and video signal
2 Housing	Unscrew for lens and dip switches	10 Body	Containing camera electronics
3 Varifocal lens	Manual zoom and focus adjustments	11 Sun shield lock screw	Secures sun shield in position
4 Filter block	Moves optical IR cut filter	12 Camera mount	For top or bottom mounting
5 Function control board	With camera settings	13 Sun shield	Protects from heat and glare
6 Air vent	For internal fan with temp control	14 IR LED board	Switching on in low light
7 Bracket assembly	Pan/tilt adjust and cable protection	15 Screw pillars	Supporting IR board
8 Automatic fan	Turns on as temperature rises	16 Heater	Protects camera in cold

AV-EVT-312CMP Board level adjustments	
1 DC level	Lens level control in auto iris mode
2 Iris lens connector	See pin connection diagram
3 CCD sensor	1/3" Sony CCD
4 IR board connector	For IR LED connection
5 DC motor connector	For IR filter change
6 Fan connector	For cooling fan
7 RCA jack	2nd video output for installation
8 Power and video	
9 Dip switch	
10 Flickerless on/off	To prevent flicker select <b>on FLKL</b>
11 BLC on/off	To activate select <b>on BLC</b>

10 FLK OFF

11 BLC OFF

2 IRIS Lens Conn

PIN	DC
1	Cont +
2	Cont -
3	Drive +
4	Drive -

360BCIR181108v1

The manufacturer reserves the right to change specifications without notice.  
All trademarks are used courtesy of registered owners.

Tel: +44 (0) 870 903 360 1, Fax: +44 (0) 870 903 360 2, info@360visiontechnology.com

360 Vision Technology Ltd, Unit 7 Seymour Court, Manor Park, Runcorn, Cheshire, WA7 1SY, UK