

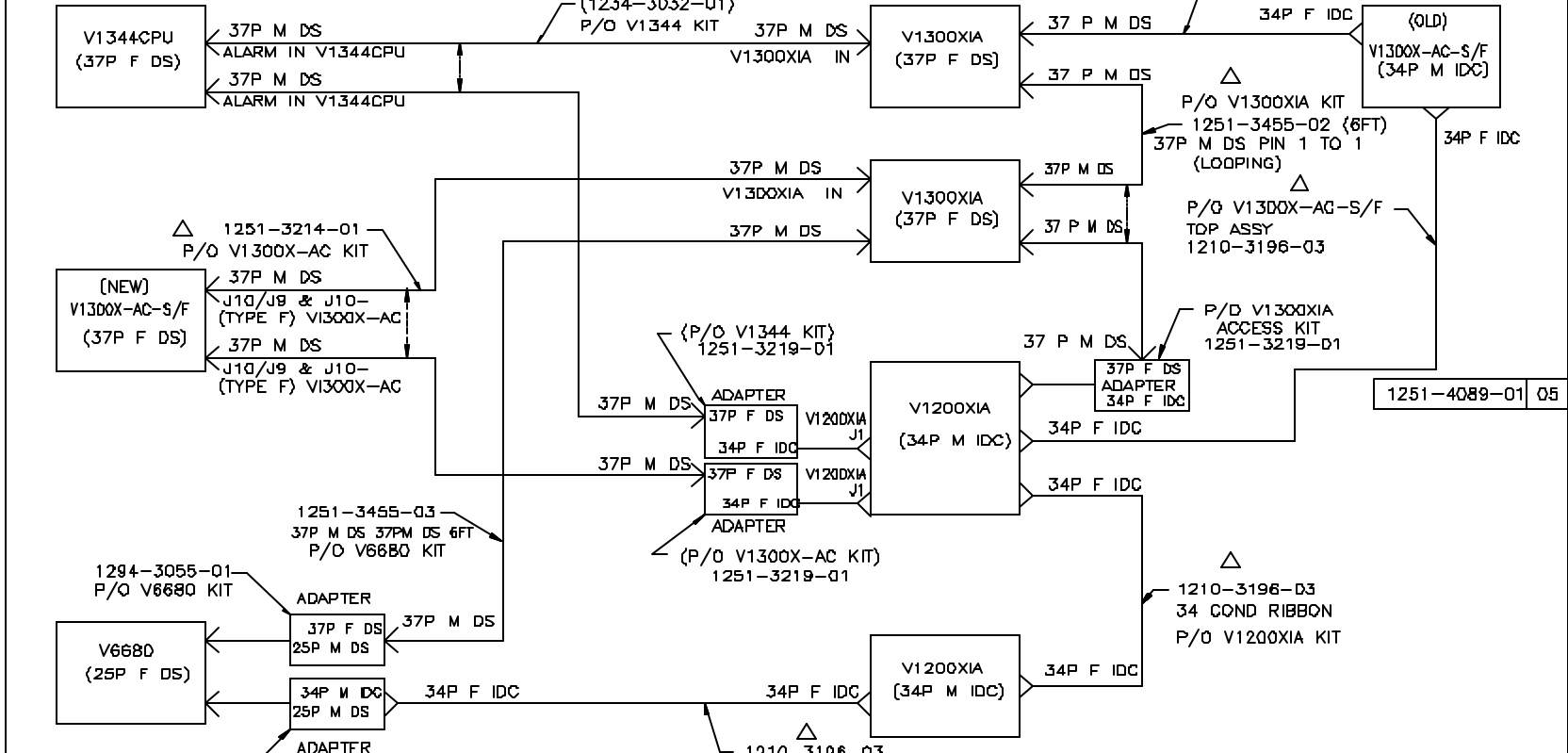


TECH NOTE

VICON TECHNICAL SERVICES GROUP

SUBJECT: XIA Interconnect drawing
PRODUCT: V1300XIA & V1200XIA
NUMBER: 1400-0001-32-00
DATE: 05/10/02

REV.	DESCRIPTION	REV. NO.	PRJ. NO.	DES. NO.	BY	DATE	APPR.
00	REL FOR INFO		2812		TC	11/84	FRH
01	CH V1344 V1300XIA ACCESS KIT FROM 1281-3219-02 TO -01 1283-3026-01 WAS 1225-3105-01 1210-3196-03 WAS 1281-3196-03 & 1210-3041-06	9703			TC	2/85	FRH
02	ADD DESCR CONNL PTS, CABLES FR 1344 & 1300 TO 1300XIA AND 1200XIA			787	DAL	5/85	FRH
03	DEL 1283-3026-01 BETWEEN V1344/V1300XIA			828	TD	5/87	FRH
04	1251-3455-03 WAS 8000-8851-01 (37P LOOPING)			1151	LE	3/00	FRH
05	1281-3456-02 WAS 1281-3466-03	11349		18	4/00		



NOTE:
 △ 1. ONE CABLE USED PER ACCESS KIT.

THIS MARK AND THE MATTER HEREIN AND RECORDS ARE PROPRIETARY TO VICON INDUSTRIES, INC. THIS PAPER IS ISSUED IN STRICT CONFIDENCE AND SHALL NOT BE REPRODUCED OR COPIED, IN WHOLE OR IN PART, FOR THE MANUFACTURE OR SALE OF ANY OTHER EQUIPMENT WITHOUT WRITTEN AUTHORITY OF VICON INDUSTRIES, INC.

FILE NO. 12514089	DESK NO. 80	REMOVE ALL BURRS BREAK ALL SHARP EDGES DO NOT SCALE DRAWING	MODEL NO. MULTI
TOLERANCES XXX DEC: ± .001 XXX DEC: ± .002	FRACTION ± .001 ± .002	FINISH ON ALL SURFACES UNLESS OTHERWISE SPECIFIED	XIA SYSTEM INTERCONNECT
MATERIAL	THIS PART MUST CONFORM TO GENERAL MFG INSTRUCTIONS FOR VICON SPEC		VICON INDUSTRIES INC. 80 ARKAY DRIVE MADISON, N.Y. 11754
HEAT TR.	DRAWN T-GOMEAL	DATE 11/7/94	
FINISH	DESIGNED CHECKER	APPROVED MIKE R	C 1251-4089-01 05 SCALE 1/8" = 1" SHEET 1 OF 1 REV.