

6 Inch Dome

Indoor/Outdoor 6" Pendant Dome

Arecont Vision
megapixel technology...
beyond imagination

DOME6-I-C DOME6-I-W DOME6-O-C DOME-O-W



High quality environmental housing designed for the AV8180 and AV8360 cameras. Combining this 6" dome with the superior imaging of an AV camera provides the perfect solution for environments in which cameras need to be less noticeable, or require additional protection from the elements.

Arecont Vision Advantages:

Superior Solution for Various Environments

- Indoor or outdoor applications

Excellent Enclosure Protection

- Heavy duty enclosure features an IP66 rating for applications in harsh environments

Full View in All Directions

- Use the AV8180 or AV8360 panoramic camera to ensure outstanding observation with excellent color sensitivity and high resolution

Compatibility

- Designed to House AV8180 and AV8360

Easy Installation

- Easy installation and superior design, perfect for indoor or outdoor applications

Other key features:

- Wall Mount/Pendant Mount, IP66 Rating and more

Designed to House: AV8180 and AV8360

MegaVideo® Housing

Learn more about our products at www.arecontvision.com

www.arecontvision.com avsales@arecontvision.com 818.937.0700 877.CAMERA.8

Model Numbers:

Dome 6-I-C - Indoor/Ceiling Mount Version

Dome 6-I-W - Indoor/Wall Mount Version

Dome 6-O-C - Outdoor/Ceiling Mount Version

Dome 6-O-W - Outdoor/Wall Mount Version

Mechanical

- Housing material: Aluminum
- Dome Cover Protection: Vandal resistant polycarbonate
- Color: Gray
- Dome Diameter: 6 in (same for indoor & outdoor)
- Housing Height:
 - Indoor: 6.3in (160 mm)
 - Outdoor: 6.4in (162 mm)
- Housing Diameter:
 - Indoor: 8.6in (218 mm)
 - Outdoor: 9.3in (236 mm)
- Weight w/o camera:
 - Indoor housing: 570 g (1.26 lbs)
 - Outdoor housing: 590 g (1.30 lbs)
 - Pendant bracket: 680 g (1.50 lbs)
 - Wall mount bracket: 980 g (2.16 lbs)

Electrical

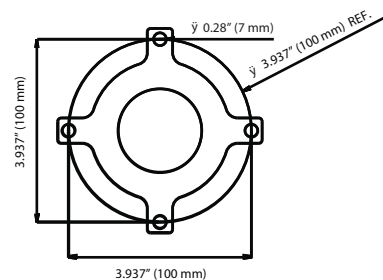
- Power Supply:
 - Indoor: Not Applicable
 - Outdoor: 24 VAC Heater/ blower .8A
- Power Consumption:
 - Indoor: Not applicable
 - Outdoor: 20 Watts maximum

Environmental

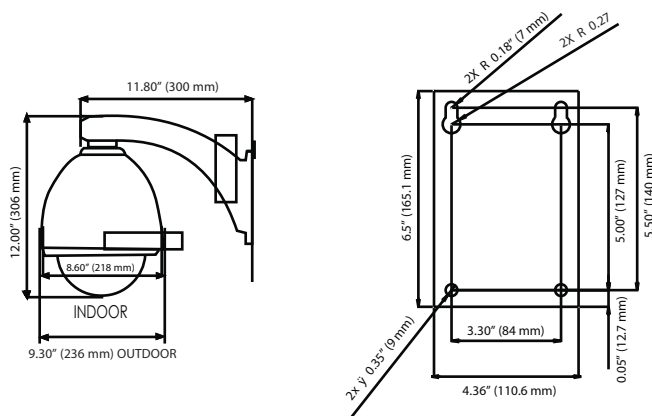
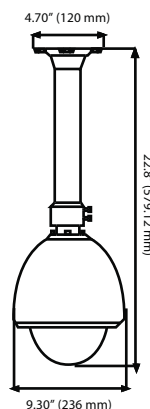
- Operating Temperature:
 - Indoor: 0°C (32 °F) to 50°C (122 °F)
 - Outdoor: - 40 °C (-40 °F) to 50 °C (122 °F)
- Humidity: 0 to 95 % relative, non-condensing
- Enclosure Protection:
 - Indoor: Not Applicable
 - Outdoor: IP66 Outdoor Protection Grade
- Fan:
 - Indoor: Not Applicable
 - Outdoor: Fan Operates Continuously
- Heater:
 - Indoor: Not Applicable
 - Outdoor: Heater auto starts when temperature drops below to 5 °C (41 °F)

Compatible Cameras

AV8180 and AV8360



TOP MOUNT



WALL MOUNT