

ULISSE PLUS

POSITIONING UNIT WITH LARGE-SIZED CAMERA HOUSING

REVISION 1040



PRELIMINARY

MAIN FEATURES

P&T head integrating a large-sized housing, and telemetry receiver

Horizontal Continuous rotation

IP66

Variable speed: 0.1°-100°/s Pan and 0.1°-50°/s Tilt

Configuration through OSD (On Screen Display)

Housing with integrated wiper

Encoder for absolute positioning

Multiprotocol

DESCRIPTION

The ULISSE PLUS P&T integrates, in a particularly elegant design, a high performance P&T head with telemetry receiver and a bigger camera housing with integrated wiper. The housing wide dimensions allow to easily fit large zoom lenses.

The rotation on the horizontal axis is continuous with a variable speed up to 100°/s while the amplitude on the vertical axis varies from +90° to -40° with a max speed of 50°/s. ULISSE PLUS controls the functions of autopan and patrol with a tracking accuracy of 0.02° on preset positions upon recall. Patrol sequences can also be varied with different speed settings in order to customize a perfect patrol pattern.

This system is provided with incremental encoders for position feedback which guarantee an exact position control in any operating condition.

ULISSE PLUS is equipped with a thermostatically controlled heater and sunshield, assuring an optimal operating temperature.

In addition to the OSD set-up, the system is equipped with an RS232 interface allowing the possibility to update to the latest firmware version. The positioning system is controlled through RS485/RS422. The telemetry signal can be transmitted in an active way for chain configuration of several ULISSE PLUS units together.

The positioning unit can be used in several kinds of installations, such as: coast and border patrol, harbour control, urban settings, highway and traffic monitoring, stadiums, industries, prisons or military applications, and perimeter surveillance.



ULISSE PLUS

→ FOR ALL AVAILABLE VERSIONS: CHART 167

TECHNICAL DATA

GENERAL

Constructed from aluminium and ABS
 Epoxypolyester powder painting, RAL9002 colour
 Top mount (OTT)
 Transmission through toothed belt
 Slip-ring
 Electronic limit switches
 Plug installation thanks to connector and easy replacement on-site
 Zero backlash
 Supplied with instruction manual

MECHANICAL

3 cable glands M16
 Horizontal continuous rotation
 Vertical rotation +90° to -40°
 Variable pan speed from 0.1° up to 100°/s
 Variable tilt speed from 0.1° up to 50°/s
 Internal usable area: 90x115x325mm (3.5x4.5x12.8in)
 Enclosure glass window (WxH) 124x112mm (4.9x4.4in)
 Preset accuracy: 0.02°

ELECTRICAL/VIDEO

Input voltage:

- 230Vac, 50/60Hz, 100W
- 24Vac, 50/60Hz, 100W
- 120Vac, 50/60Hz, 100W

Absorbed current:

- 230Vac, 0.4A
- 24Vac, 4A
- 120Vac, 0.8A

Dimensions of input cables: AWG 16 (24Vac) -18 (120/230Vac)
 Dimensions of signal cables: AWG 20-26
 Housing standard heater 24Vac, 20W max
 Alarm input: 10-35Vdc
 Dry contacts: max 50Vdc or 30Vac @ 1A
 Video line: coaxial cable (1Vpp, 750hm)
 Camera power supply: 12Vdc, 800mA
 Lens power supply: 6-15Vdc, max 200mA
 Only polarity inversion lenses
 Autopan, Preset, Patrol
 250 max preset selectable (VIDEOTECH MACRO Protocol)
 15 characters string for Area and Preset titling

COMMUNICATIONS

Configuration through OSD
 RS232 interface for PC control set-up and firmware upgrade
 2 RS485 ports for daisy chain configuration
 Addressable through dip-switch up 254 units

PROTOCOLS

AMERICAN DYNAMICS, PELCO D, VIDEOTECH MACRO, VISTA, TYCO

AMERICAN DYNAMICS, PELCO, VISTA, TYCO are registered trademarks.

The product may be interfaced with devices not manufactured by VIDEOTECH. It is possible that the interface protocols have changed or are in a different configuration from earlier tested units by VIDEOTECH. VIDEOTECH recommends a test prior to installation. VIDEOTECH will not be liable for any installation costs or lost revenues in the event a compatibility problem will occur.

ENVIRONMENT

Indoor / Outdoor
 Operating temperature with heater. -20°C / +60°C (-4°F / +140°F)
 Wind resistance

- Operational up to 100km/h (100mph)
- Withstands up to 210km/h (130mph)

 Resistant to salty fog (EN50130-5 and EN60068-2-52)
 Surge immunity: up to 2KV line to line, up to 4KV line to earth (Class 4)

CERTIFICATIONS

CE EN60950-1, EN61000-6-3 and EN50130-4
 FCC part 15, Class B
 IP66 EN60529
 UL listed
 UL Canadian Safety Standards listed
 NEMA 4X

ACCESSORIES

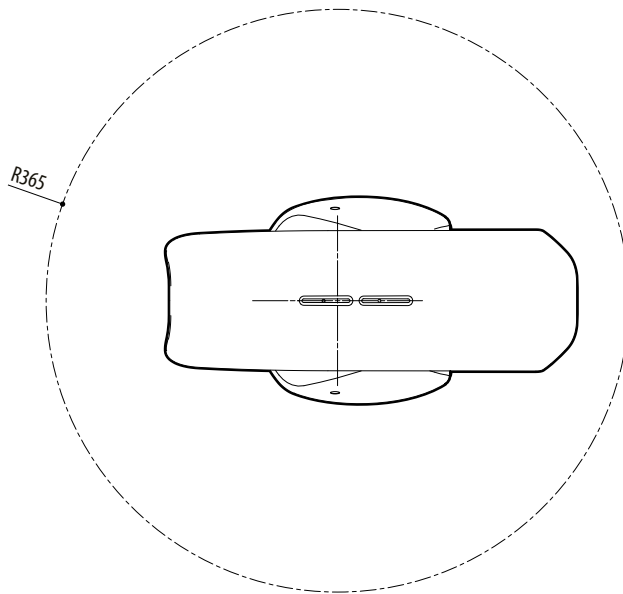
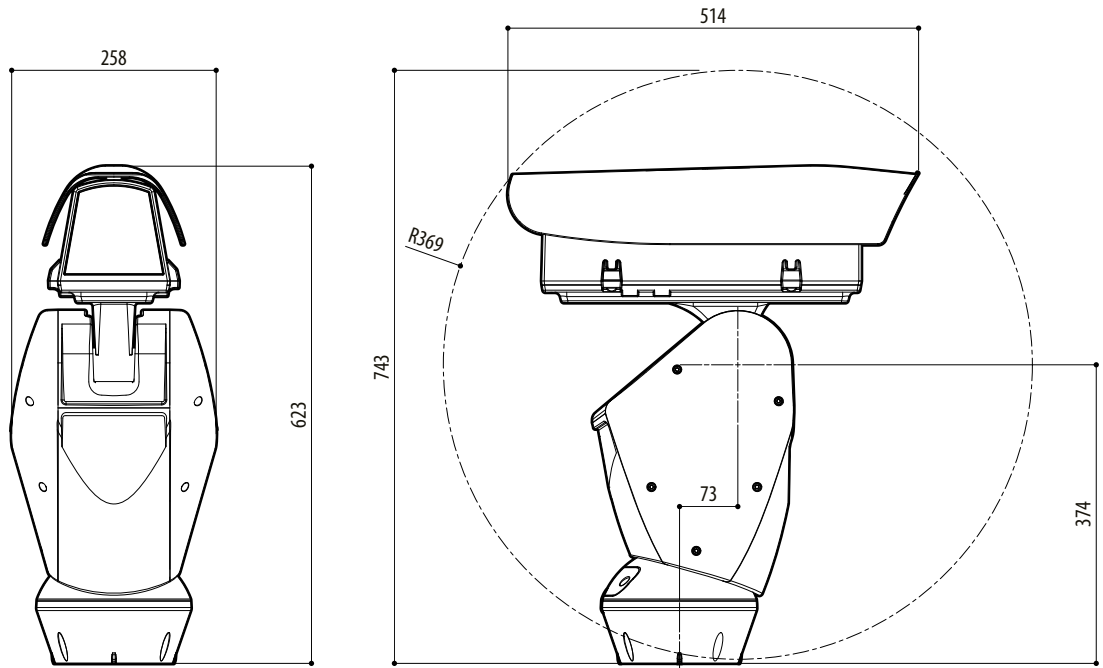
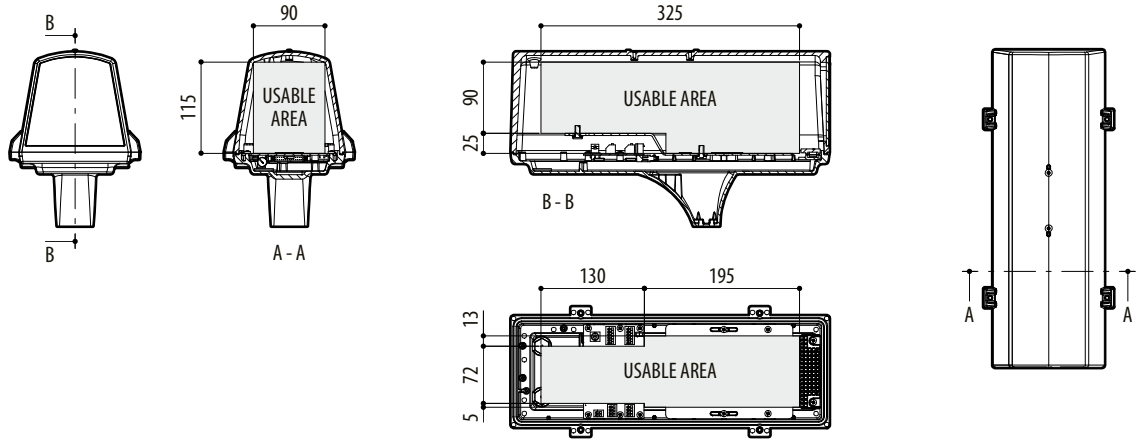
UPTJBUL	Junction weatherproof box for cables connexion (according UL norm)
UPTWAS01C	Tank 23l (6gal), IN 230Vac washer pump
UPTWAS02C	Tank 23l (6gal), IN 24Vac washer pump
UPTWAS03C	Tank 23l (6gal), IN 120Vac washer pump
UPTWASA01C	Tank 23l (6gal), IN 230Vac washer pump, high delivery up 30m (98ft)
UPTWASA03C	Tank 23l (6gal), IN 120Vac washer pump, high delivery up 30m (98ft)

BRACKETS AND ADAPTORS

UPTWBA	Wall bracket with internal cable channel
UPTWBTA	Parapet bracket with internal cable channel
PTCC1	Pole mount adapter for UPTWBA
WCWGC	Corner adapter for UPTWBA

RELATED PRODUCTS

ALBERT	Unit for the intelligent digital video content analysis
SM42A-SM82B	Matrix 4/8 inputs and 2 outputs
SM84B-SM164B	Matrix 8/16 inputs and 4 outputs
SM328B	Matrix 32 inputs and 8 outputs
DCJ	Keyboard to control matrix, multiplexers and telemetry equipped with three axis joystick
DCT	Touch screen keyboard to control matrix, multiplexers, DVRs and telemetry equipped with three axis joystick



ULISSE PLUS