

AXIS P33 Network Camera Series

Fixed domes for any environment with remote focus and zoom.



- > High-performance video including HDTV quality
- > Multiple H.264 video streams
- > Easy installation with remote focus and zoom
- > Outdoor-ready models designed for extreme temperatures
- > Power over Ethernet

AXIS P33 Network Cameras constitute a series of indoor and outdoor-ready fixed domes designed for efficient installation. Offering high performance video, including HDTV image quality and multiple H.264 streams, these cameras are ideal for unobtrusive video surveillance in exposed areas such as airports, subways, retail stores, schools and university campuses.

AXIS P33 Series delivers superb video quality in 30 frames per second in full resolution. AXIS P3343 Network Cameras provide SVGA resolution, whereas the AXIS P3344 models offer 1MP, or HDTV 720p in compliance with the SMPTE standard in resolution, color representation and frame rate.

AXIS P33 Network Cameras support automatic day and night functionality with removable infrared-cut filter for increased light sensitivity.

AXIS P33 Series provides multiple, individually configurable video streams in H.264 compression, which greatly optimizes bandwidth and storage without compromising image quality. Motion JPEG is also supported for increased flexibility.

The remote focus feature allows for convenient installation eliminating the need for hands-on focusing at the camera, and the remote zoom and pixel counter features ensure that the camera's viewing angle is optimized for the scene and pixel resolution.

AXIS P33 Network Cameras range from standard indoor models to vandal-resistant outdoor models, perfectly adapted for harsh environments. All models in AXIS P33 Series have low, environment friendly power consumption, supplied by standard Power over Ethernet (IEEE 802.3af). This is the case even for the weather-proof models that operate in extreme temperatures from -40° to 55° C (-40° to 131 °F).



Fixed domes designed for efficient installation – indoors or outdoors

AXIS P33 Series is the perfect choice for a wide range of demanding video applications in outdoor and indoor environments. AXIS P33 Network Cameras are designed for professional video surveillance with easy and reliable installation in focus.

Outdoor-ready installation for extreme temperatures

The outdoor models of AXIS P33 Series are specially designed for reliable, vandal-resistant and weather-proof installation, with pre-installed heater and fan, and an integrated dehumidifying membrane eliminating any humidity caught in the camera casing during installation. These cameras come with a 5 m (16 ft.) Ethernet cable with a pre-mounted, specially designed gasket, enabling flush wall mounting and requiring no additional sealant. A weather shield is also included for effective protection against reflections from sunlight, or build-ups of rain or snow.

Mounting options

AXIS P33 Series offers a wide range of optional indoor and outdoor mounting kits for installation in a drop ceiling or on a wall, pole, corner or junction box, etc. Both indoor and outdoor camera models include a smoked transparent cover as an alternative to the clear cover, for additional flexibility.

Easy installation with remote focus and zoom

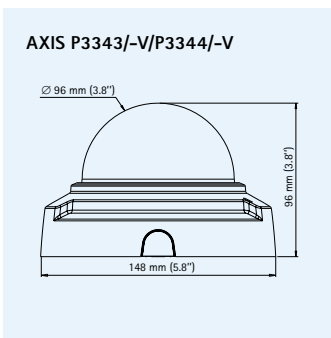
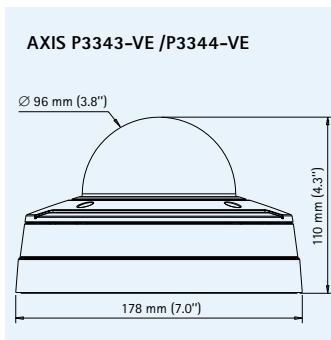
AXIS P33 Network Cameras offer unique installation capabilities with remote focus and zoom. The remote focus feature enables convenient focusing over the network, eliminating the need for hands-on fine-tuning at the camera. The remote zoom functionality ensures that the viewing angle is optimized for the area to be monitored.

Unique pixel counter feature

The unique pixel counter offered in AXIS P33 Series allows the installer to easily verify that the camera installation fulfills any regulatory or specific customer requirements, for example calculating the pixel resolution of the face of a person passing a doorway monitored by the camera.

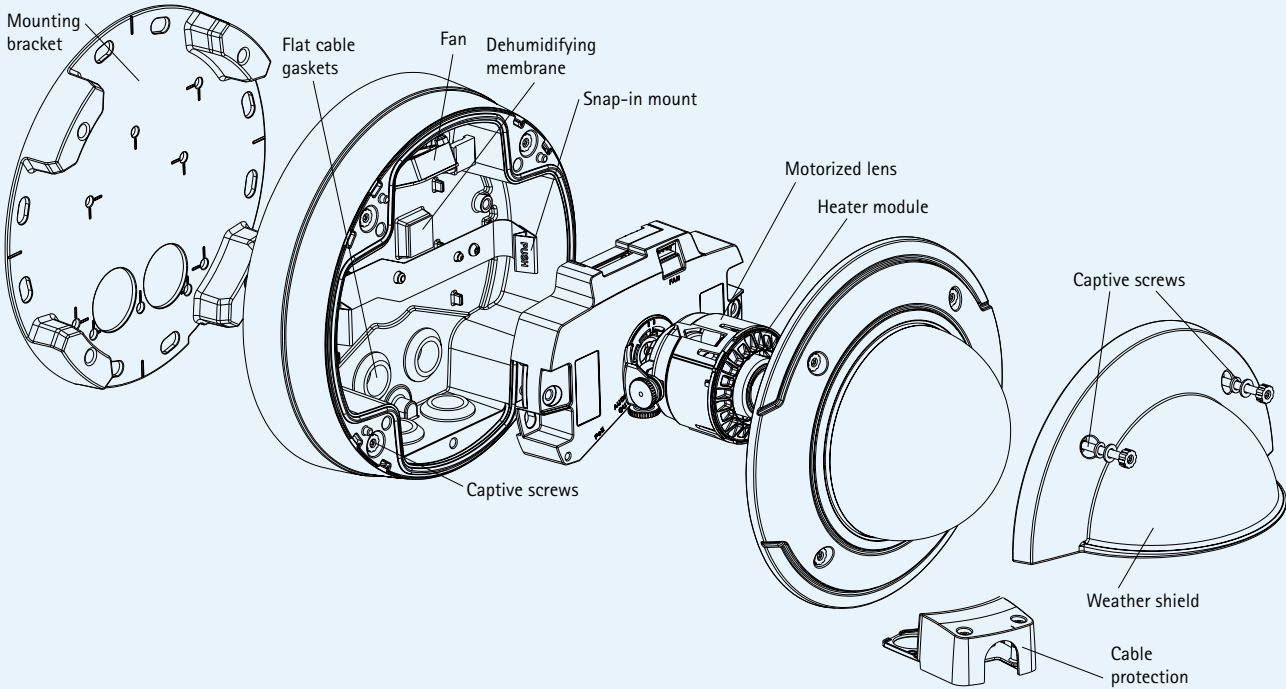


Unique pixel counter feature

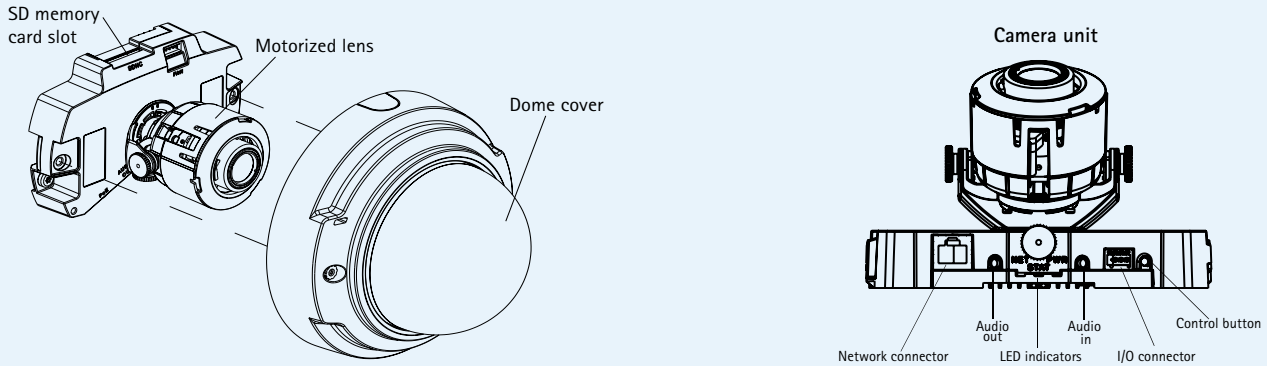


Extreme temperature installation

AXIS P3343-VE/P3344-VE



AXIS P3343-V/P3344-V



Optional accessories for outdoor models

Pendant adapter kit including weather shield



AXIS T91A Brackets



Wall



Corner

I/O audio cable, 5 m (16 ft.)



Optional accessories for indoor models

AXIS T91A Brackets



Ceiling



Wall

Mounting bracket



Drop-ceiling mount kit with transparent or smoked cover



Pendant adapter kit



For information on AXIS Camera Station and video management software from Axis' Application Development Partners, see www.axis.com/products/video/software/

Technical Specifications – AXIS P33 Network Camera Series

| Camera | | Network | |
|--------------------------------|--|-----------------------------|--|
| Models | <p>AXIS P3343: SVGA resolution, tamper-resistant, indoor</p> <p>AXIS P3343-V: SVGA, vandal-resistant, indoor</p> <p>AXIS P3343-VE: SVGA, vandal-resistant, outdoor</p> <p>AXIS P3344: 1MP/HDTV 720p, tamper-resistant, indoor</p> <p>AXIS P3344-V: 1MP/HDTV 720p, vandal-resistant, indoor</p> <p>AXIS P3344-VE: 1MP/HDTV 720p, vandal-resistant, outdoor</p> <p>6mm or 12mm as suffix specifies lens option</p> <p>Note: AXIS P3301-V are not part of AXIS P33 Series</p> | Security | Password protection, IP address filtering, digest authentication, user access log, IEEE 802.1X* network access control, HTTPS* encryption |
| Image sensor | 1/4" Progressive scan RGB CMOS | Supported protocols | IPv4/v6, HTTP, HTTPS*, QoS Layer 3 DiffServ, FTP, SMTP, Bonjour, UPnP, SNMPv1/v2c/v3(MIB-II), DNS, DynDNS, NTP, RTSP, RTP, TCP, UDP, IGMP, RTCP, ICMP, DHCP, ARP, SOCKS |
| Lens | <p>Varifocal, DC-iris, remote focus and zoom</p> <p>AXIS P3343/-V/-VE 6mm: 2.5-6 mm, F1.2, angle of view*: 34°-72°</p> <p>AXIS P3343/-V/-VE 12mm: 3.3-12 mm, F1.4, angle of view*: 17°-54°</p> <p>AXIS P3344/-V/-VE 6mm: 2.5-6 mm, F1.4, angle of view*: 40°-87°</p> <p>AXIS P3344/-V/-VE 12mm: 3.3-12 mm, F1.6, angle of view*: 20°-70°</p> <p>* horizontal</p> | System integration | Application Programming Interface Open API for software integration, including VAPIX® from Axis Communications available at www.axis.com |
| Day and night | Automatically removable infrared-cut filter | Intelligent video | Video motion detection, active tampering alarm, audio detection |
| Minimum illumination | <p>AXIS P3343/-V/-VE 6mm: Color: 0.2 lux, F1.2, B/W: 0.04 lux, F1.2</p> <p>AXIS P3343/-V/-VE 12mm: Color: 0.3 lux, F1.4, B/W: 0.05 lux, F1.4</p> <p>AXIS P3344/-V/-VE 6mm: Color: 0.3 lux, F1.4, B/W: 0.05 lux, F1.4</p> <p>AXIS P3344/-V/-VE 12 mm: Color: 0.4 lux, F1.6, B/W: 0.06 lux, F1.6</p> | Alarm triggers | Intelligent video, external input |
| Shutter time | 1/25000 s to 1/6 s | Alarm events | File upload via FTP, HTTP and email Notification via email, HTTP and TCP External output activation Video recording to local storage |
| Camera angle adjustment | Pan 360°, tilt 170°, rotation 340° | Video buffer | 48 MB pre- and post alarm |
| Pan/Tilt/Zoom | Digital PTZ, preset positions, guard tour | General | |
| Video | | Casing | <p>Polycarbonate transparent cover</p> <p>Aluminum inner camera module with encapsulated electronics</p> <p>AXIS P3343/P3344: Tamper-resistant plastic casing</p> <p>AXIS P3343-V/P3344-V: 1000 kg (2200 lb.) impact-resistant aluminum casing</p> <p>AXIS P3343-VE/P3344-VE: 1000 kg (2200 lb.) impact-resistant IP66- and NEMA 4X-rated aluminum casing with integrated dehumidifying membrane</p> |
| Video compression | H.264 (MPEG-4 Part 10/AVC) Motion JPEG | Processor and memory | ARTPEC-3, 128 MB RAM, 128 MB Flash |
| Resolutions | <p>AXIS P3343/-V/-VE: 800x600 to 160x90</p> <p>AXIS P3344/-V/-VE: 1280x800 to 160x90</p> | Power | <p>Power over Ethernet IEEE 802.3af</p> <p>AXIS P3343-V and AXIS P3344-V: Class 2</p> <p>AXIS P3343-VE/P3344-VE: Class 3</p> |
| Frame rate H.264 | 30 fps in all resolutions | Connectors | <p>RJ-45 10BASE-T/100BASE-TX PoE</p> <p>Terminal block for 1 alarm input and 1 output</p> <p>3.5 mm mic/line in, 3.5 mm line out</p> |
| Frame rate Motion JPEG | 30 fps in all resolutions | Local storage | SD/SDHC memory card slot (card not included) |
| Video streaming | <p>Multi-stream H.264 and Motion JPEG</p> <p>Controllable frame rate and bandwidth</p> <p>VBR/CBR H.264</p> <p>Figures below specify the number of individually configurable streams provided in full resolution and frame rate (see details above) when using one compression format. More streams can be achieved if identical or limited in frame rate/resolution.</p> <p>AXIS P3343/-V/-VE: H.264/Motion JPEG: 2 streams</p> <p>AXIS P3344/-V/-VE: H.264: 1 stream (2 streams in HDTV 720p); Motion JPEG: 1 stream</p> | Operating conditions | <p>AXIS P3343/-V and AXIS P3344-V: 0 to 50 °C (32 to 122 °F)</p> <p>Humidity 20 - 80% RH (non-condensing)</p> <p>AXIS P3343-VE/P3344-VE: -40 to 55 °C (-40 to 131 °F)</p> |
| Image settings | <p>Compression, color, brightness, sharpness, contrast, white balance, exposure control, exposure zones, backlight compensation, wide dynamic range, fine tuning of behavior at low light</p> <p>Rotation: 0°, 90°, 180°, 270°</p> <p>Mirroring of images</p> <p>Text and image overlay</p> <p>Privacy mask</p> | Approvals | <p>EN 55022 Class B, EN 61000-3-2, EN 61000-3-3, EN 55024, FCC Part 15 Subpart B Class B, ICES-003 Class B, VCCI Class B, C-tick AS/NZS CISPR 22, EN 60950-1</p> <p>AXIS P3343-VE/P3344-VE: IEC 60529 IP66, NEMA 250 Type 4X</p> |
| Audio | | Weight | <p>AXIS P3343/P3344: 445 g (1.0 lb.)</p> <p>AXIS P3343-V/P3344-V: 660 g (1.5 lb.)</p> <p>AXIS P3343-VE/P3344-VE: 1.4 kg (3.1 lb.)</p> |
| Audio streaming | Two-way | Included accessories | <p>Mounting and connector kits, Installation Guide, CD with installation tools, recording software and User's Manual, Windows decoder</p> <p>1-user license, smoked transparent cover</p> <p>AXIS P3343-VE/P3344-VE: Mounting bracket, cable shield, weather shield, 5 m (16ft.) network cable with pre-mounted gasket</p> |
| Audio compression | <p>AAC LC 8/16 kHz</p> <p>G.711 PCM 8 kHz</p> <p>G.726 ADPCM 8 kHz</p> <p>Configurable bit rate</p> | | |
| Audio input/output | <p>External microphone input or line input, line level output</p> <p>AXIS P3343-V and AXIS P3344-V: Built-in microphone</p> | | |

* This product includes software developed by the OpenSSL Project for use in the OpenSSL Toolkit. (www.openssl.org)

More information is available at www.axis.com