

Type 2000/2001/2006 Pan & Tilt Head



Innovative design combined with advanced production techniques and modern styling make this unit the benchmark for the next generation of pan & tilt heads.

Offered with externally adjustable limit switches and Pre-set positions.

Ease of maintenance and servicing has been significantly improved over conventional pan & tilt designs. All external fixings are the same size. Options and accessories can be retro-fitted with plug-in wiring.

Type 2000 pan & tilt heads can be operated upright or inverted and are available in the following range of voltages: 230Va.c. (Type 2000) 110Va.c. (Type 2000-110) 24Va.c. (Type 2001) 24Vd.c. (Type 2006).

benefits

- AESTHETICALLY STYLED
- PAYLOADS OF UP TO 20KG
(NO NEED FOR COUNTER BALANCE WEIGHTS)
- PRESSURE DIE CAST CONSTRUCTION
- 230VA.C. | 110VA.C. 24VA.C. UNITS
24VD.C. UNIT (TYPE 2006)
- AVAILABLE IN A RANGE OF CONFIGURATIONS
- WEATHERPROOF TO BS.EN.60529 LEVEL IP66.
(NO WATER INGRESS)
- COVERED EXTERNALLY ADJUSTABLE LIMITS

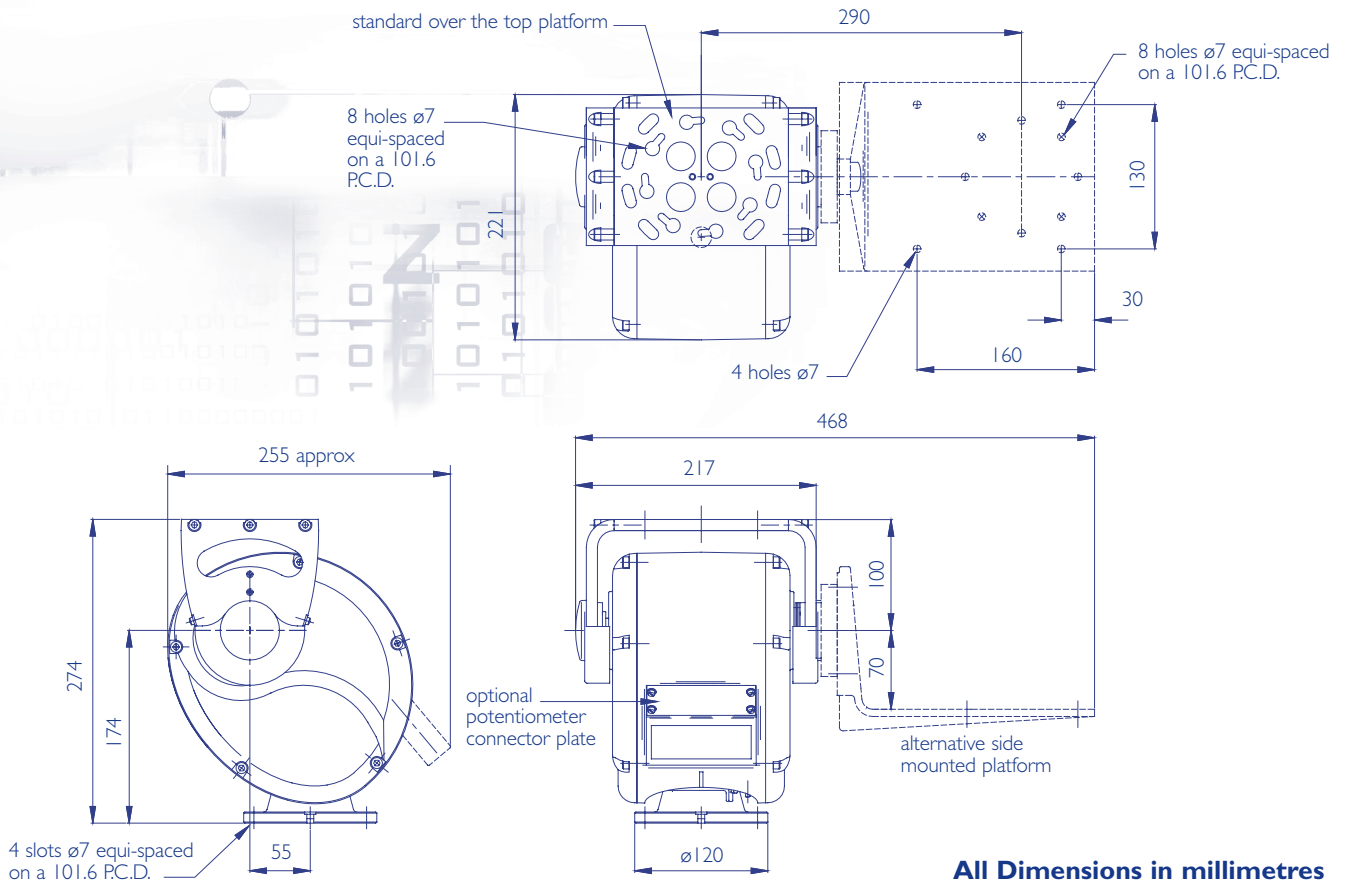
build options

- /PP = PAN POTENTIOMETER
- /TP = TILT POTENTIOMETER
- /CR = CONSTANT ROTATION
- /LT = LOW TEMPERATURE. (-30°C)
- /SP = SIDE PLATFORM

Type 2000/2001 a.c. unit only

- /A = AUTOPAN (INSIDE UNIT)
- /12° = FAST PAN SPEED

Type 2000/2001/2006 Pan & Tilt Head



Specification

MAXIMUM LOAD

- 20kg

PAN MOVEMENT

- 5° to 350°

TILT MOVEMENT

- +20° to -90°

PAN SPEED

- | | |
|------------------|---|
| 2000/2001 | 2006 |
| • 7.5°/sec | • 48°/sec
(no load speed at 24Vd.c.) |

TILT SPEED

- | | |
|------------------|---|
| 2000/2001 | 2006 |
| • 3°/sec | • 16°/sec
(no load speed at 24Vd.c.) |

PAN TORQUE

- 150kg

TILT TORQUE

- 400kg

OPERATING TEMPERATURE

- +20° to -90°

BACKLASH

- 0.5°/sec maximum

WEIGHT

- 7.5kg

FINISH

- Powder coated & stoved

POWER CONSUMPTION

- | | |
|------------------|-------------|
| 2000/2001 | 2006 |
| • 24W | • 36W |

CONNECTION

- | | |
|---|--------------------|
| 2000/2001 | 2006 |
| • 7 way connector
(plus 4 way for preset option) | • 14 way connector |

ENVIRONMENTAL PROTECTION

- BS. EN.60529 Level IP66
(no water ingress)

PLEASE CHECK THE WEBSITE FOR LATEST DEVELOPMENTS

FOR FURTHER INFORMATION PLEASE CONTACT

Dedicated Micros UK

Dennard UK

Dedicated Micros USA

Dedicated Micros Europe

Dedicated Micros Belgium

Dedicated Micros Ltd. Slovenia

Dedicated Micros France

Dedicated Micros Asia

Dedicated Micros Australia

Dedicated Micros Malta

Dedicated Micros Middle East

11 Oak Street, Swinton, Manchester, M27 4FL, UK Tel: +44 (0) 161 727 3200 Fax: +44 (0) 161 727 3300.

Tel: +44 (0)1252 614884 Fax: +44 (0)1252 626013 e-mail: sales@dennard-cctv.com

14434 Albemarle Point Place, Suite 100, Chantilly, Virginia 20151 USA Freephone: 800 864 7539
Tel: +1 703 904-7738 Fax: +1 703 904-7743 and 23456 Hawthorne Blvd. Suite 100, Torrance, CA 90505,
Tel +1 310 791-8666 Fax: +1 310 791-9877.

Neckarstraße 15, 41836 Hückelhoven, Germany Tel: +49 243 352 580 Fax: +49 24 33 52 58 10
e-mail: infobox@dmicros.com

Joseph Chantraineplantsoen I, 3070 Kortenberg, Belgium Tel: +32 2751 3480, Fax: +32 2751 3481
e-mail: dmbenelux@dmicros.com

Delavska cesta 26, 4208 Sencur-Slovenija Tel: +386 (4) 279 18 90, Fax: +386 (4) 279 18 91
e-mail: dmslovenia@dmicros.com

9-13 rue du Moulinet, 75013 Paris, France Tel: +33 1 45 81 99 99, Fax: +33 1 45 81 99 89.
e-mail: dmfrance@dmicros.com

16 New Industrial Road, #03-03 Hudson Techno Centre, Singapore 636204 Tel : +65 6285982 Fax : +65 62858646.

5/3 Packard Avenue, Castle Hill, NSW 2154, Australia Tel: +612 9634 4211 Fax: +612 9634 4811.

UB 2, San Gwann Ind. Est., San Gwann, Malta Tel: +356 21483 673 Fax: +356 21449 170.

Building 12, Suite 302, P.O.Box 500291, Dubai Internet City, Dubai, United Arab Emirates
Tel: +971 (4) 390 1015, Fax: +971 (4) 390 8655.

The manufacturer reserves the right to change the specification without notice.

All trademarks are courtesy of registered owners.
DM1 is a trademark of Dedicated Microcomputers Group Ltd.
REF: DM101/05



www.dedicatedmicros.com

Doc 74 0185