

Vi1304VPD

4-Ch UTP Video, Data, & Power Combiner

Features

- Combines Video, Power, and Data into a single RJ-45 4-pair cable
- Supports up to 4 cameras
- Power present indicator for each camera
- Individual 1.5 A self-resetting power fuse for each channel
- High-Density, 1U Rack-Mountable with a VI0010 panel
- Can use any third party class 2 power supply
- Designed for structured wiring applications
- Limited Lifetime warranty



Applications

- Security and Surveillance
- Department Store Security
- Casino Security
- Hospitals and Airports
- School Campuses

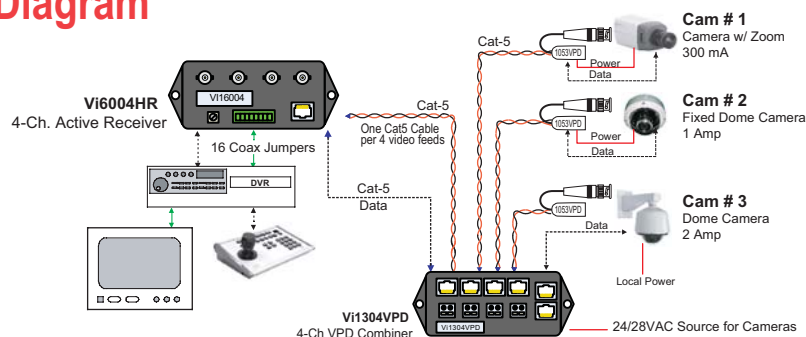
Power Distance Chart

Power Supply Voltage		12 VDC	24 VAC	28 VAC
Voltage at the camera		11.5 VDC	21 VAC	21 VAC
100 mA Camera	Dual 24 AWG	175 ft	1,000 ft	2,500 ft
	Dual 22 AWG	300 ft	1,500 ft	4,000 ft
300 mA Camera	Dual 24 AWG	50 ft	350 ft	850 ft
	Dual 22 AWG	100 ft	600 ft	1,400 ft
1 Amp Camera	Dual 24 AWG	15 ft	100 ft	250 ft
	Dual 22 AWG	30 ft	150 ft	400 ft

The Vi1304VPD is a passive "pass-through" device that combines video, PTZ data, and camera power over a single 4-pair UTP cable to simplify CCTV installations in a structured wiring environment. It supports up to 16 cameras and is designed to be installed in the wiring closet or control room. The Vi1304VPD receives low-voltage camera power from any third-party multi-output Class 2 power supply. Each camera power output is equipped with a self-resetting fuse for extra protection.

At the camera end the Vi1053VPD video balun/combiner provides Video, power and data on separate outputs. The Vi1304VPD can be installed at a mid-way location or at the "Head End". The video and data connections to the control room are through 4-pair RJ-45 cables. Control Room connections may be made using any Vigitron passive or active HUBs with RJ-45 connections. All equipment follow industry-standard EIA/TIA 568B pinouts. The Vi1304VPD is an ideal CCTV component for a structured cabling environment.

Application Diagram



The smart choice for quality video

www.vigitron.com

DSVi1304VPD_0805

Technical Specification**

Electrical

Video Format	NTSC, PAL, SECAM
Frequency	DC to 10 MHz
Coax	75 Ohm
Twisted Pair	100 Ohms +/- 20%, 24 AWG min up to 1000 feet (305 m)* Unshielded Category 2-5
Power Inputs	4 individually fused at 1.5 A Max.
Power Indicator	4 Green LEDs, one per channel
Connectors	Video, Data and UTP: RJ-45 Power: Screw-less Connector

Environmental

Humidity	0 to 95%, non-condensing
temperature	Operating: -10C to +70C Storage: -30C to +70C

Mechanical

Dimensions	1.73x4.5x1 Inches, 4.4x11.5x2.5 cm (HxWxL)
Weight	0.2 Lb, (100 g)
Material	BlackABS Plastic, UL rating of 94V-0

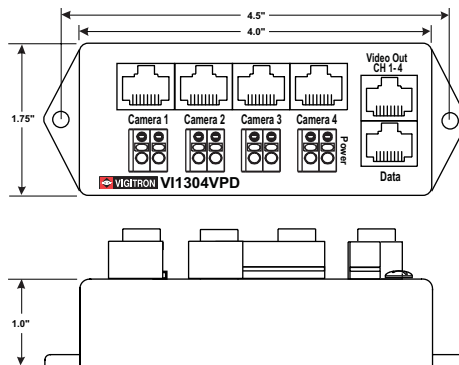
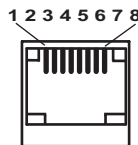
**Specifications subject to change without notice.

Camera Connections

Video	
1	Video-1 +
2	Video-1 -
3	Data-A +
4	Power-1 -
5	Power-1 +
6	Data-A -
7	Power-1 +
8	Power-1 -

Control Room Connections

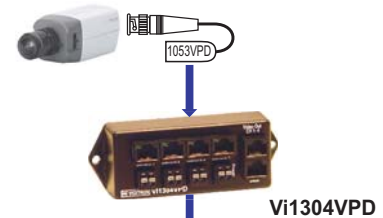
Video	Telemetry
1	Video-2 +
2	Video-2 -
3	Video-3 +
4	Video-1 -
5	Video-1 +
6	Video-3 -
7	Video-4 +
8	Video-4 -



Ordering Information

PART No.	Description
Vi1304VPD	4-Ch VPD Combiner
Vi1316VPD	16-Ch VPD Combiner

System Configuration



Passive Transceivers	
Channels	Model
1	VB1001F/M Vi1000F/M Vi1003M Vi1001P
4	Vi1004
8	Vi1008
16	Vi1016
32	Vi1032

Active Receivers	
Channels	Model
1	Vi6000VR
4	Vi6004HR
8	Vi6008HR
16	Vi6016HR
32	Vi6032HR

Wire and Cable Recommendations

The Vigitron products are designed to be used with unshielded twisted pair (UTP) wiring. The UTP wire must be 24AWG - 12AWG or Category 2 - 7 cable. Multi-pair cable with an overall shield is acceptable, however individually shielded pairs should be avoided, Multiple UTP Video feeds can be operated in the same communication cable along with telephone, computer, control signals and low power voltages. While UTP video may be routed through punch-down block terminals, any resistive, capacitive or inductive devices (such as T-taps or MOV's) must not be used. For more specific information regarding wire types and proper installation techniques, please contact Vigitron for technical assistance.



TEL (+1) 858-484-5209 • FAX (+1) 858-484-1205
13906 Sparren Ave. San Diego, CA 92129, USA • info@vigitron.com • www.vigitron.com