



- Unit comprehensive of large-sized housing, P&T head and telemetry receiver
- Adjustable counter-weights system
- Optical encoders for absolute positioning
- Continuous rotation
- IP66
- Variable speed: 0.1°-20°/s Pan and Tilt
- OSM configuration
- Multiprotocol

The ULISSE MAXI has been specifically designed to fit cameras and large zoom lenses such as: BOSCH 18x, FUJINON 22x, COMPUTAR 30x, PENTAX 20x.

This positioning system integrates a large-sized housing, a high performance P&T head and telemetry receiver. The unit guarantees an optimal camera position in outdoor installations.

The rotation on the horizontal axis is continuous with a variable speed up to 20°/s while the amplitude on the vertical axis varies from -45° to +20° with a max speed of 20°/s.

ULISSE MAXI controls the functions of autopan and patrol with a tracking accuracy of 0.02° on preset positions upon recall.

Patrol sequences can also be varied with different speed settings in order to customize a perfect patrol pattern. ULISSE MAXI uses optical encoders on both Pan and Tilt axis for exact positioning in any condition.

It is equipped with thermostatically controlled heater. The built-in wiper does not interfere with the viewing range of the camera.

In addition to the OSM set-up, the system is equipped with an RS232 interface allowing the possibility to update to the latest firmware version.

The positioning system is controlled through a RS485. The telemetry signal can be transmitted in an active way for chain configuration of several units together.

Multiple communication protocols are embedded.

The positioning unit can be used in several kinds of external installations, such as: harbour control, urban settings, stadiums, industries, prisons or military applications, and perimeter surveillance.

ULISSE MAXI

POSITIONING UNIT WITH XL-SIZED HOUSING



TECHNICAL DATA

GENERAL

Build in die-cast aluminium and ABS
 Epoxypolyester powder painting, RAL9002 colour
 Top mount (OTT)
 Transmission through toothed belt
 Electronic limit switches
 Plug installation thanks to connector and easy replacement on-site
 Zero backlash
 Max weight camera+lens 4,5kg
 Optical encoders for absolute positioning

MECHANICAL

3 removable cable glands M16
 Horizontal continuous rotation
 Vertical rotation -45° to +20°
 Variable pan speed: from 0.1° up to 20°/s
 Variable tilt speed: from 0.1° up to 20°/s
 Internal usable area (BxHxL): 140x140x360mm [5.5x5.5x14.2in]
 Enclosure glass window (BxH): 112x95mm [4.4x3.7in]

ELECTRICAL/VIDEO

Input voltage:
 - 230Vac, 50/60Hz, 100W
 - 24Vac, 50/60Hz, 100W
 Absorbed current: 24VAC = 4A, 120VAC = 0.8A, 230V = 0.4A
 Dimensions of input cables: AWG 16-19
 Dimensions of signal cables: AWG 20-26
 Alarm input: 10-35Vdc
 Clean contacts: max 50Vdc or 30Vac @ 1A
 Video line: coaxial cable (1Vpp, 75Ohm)
 Housing standard heater 24Vac, 20W max
 Housing wiper: 24Vac, 50/60Hz, 7W consumption max
 Camera output: 12Vdc, 800mA
 Lens output: 6-15Vdc, max 200mA
 Only polarity inversion lenses
 Autopan, Preset, Patrol
 250 max preset selectable (Videotec Macro Protocol)
 20 characters string for Area and Preset titling
 Preset accuracy: 0.02°

COMMUNICATIONS

OSM configuration
 RS232 interface for PC control set-up and firmware upgrade
 Two RS485 ports for daisy chain configuration
 Addressable through dip-switch up 255 units

PROTOCOL

MACRO
 PELCO D
 SENSORMATIC
 VISTA

Pelco, Sensormatic and Vista are registered trademarks.

Ulisse may be interfaced with equipment not manufactured by Videotec. It is possible that the interface protocols have changed or are in a different configuration from earlier tested units. Videotec recommends a bench test prior to installation. Videotec will not be liable for any installation costs or lost revenues in the event a compatibility problem will occur.

ACCESSORIES

UPTWBA Wall bracket with internal cable channel
 UPTWBTA Parapet bracket with internal cable channel

RELATED PRODUCTS

PTCC1 Pole mount adaptor for UPTWBA
 WCWGC Corner adaptor for UPTWBA
 SM42B-82B Matrix 4/8 input and 2 output
 SM84B-164B Matrix 8/16 input and 4 output
 SM328B Matrix 32 input and 8 output
 DCJ Keyboard to control matrices, multiplexers and telemetry equipped with three axis joystick
 DCT Touch screen keyboard to control matrices, multiplexers, DVRs and telemetry equipped with three axis joystick
 UPTWAS01C Reservoir 23l with pump, 230Vac
 UPTWAS02C Reservoir 23l with pump, 24Vac
 UPTWASA01C Reservoir 23l with pump, high delivery up to 30m, 230Vac

ENVIRONMENT

Indoor / Outdoor
 Operating temperature with heater: -10°C / +50°C (+14°F / +122°F)

COMPLIANCE TO

CE according to EN60950, EN61000-3-2 and EN50130-4
 FCC part 15
 IP66 according to EN60529

9 INTEGRATED POSITIONING UNITS



Unit Weight
 UPT1SLWA000 33kg / 72.7lb

Package Weight:
 UPT1SLWA000 -

Package Dimension (BxHxL):
 UPT1SLWA000 -

Master Carton:
 UPT1SLWA000 - -

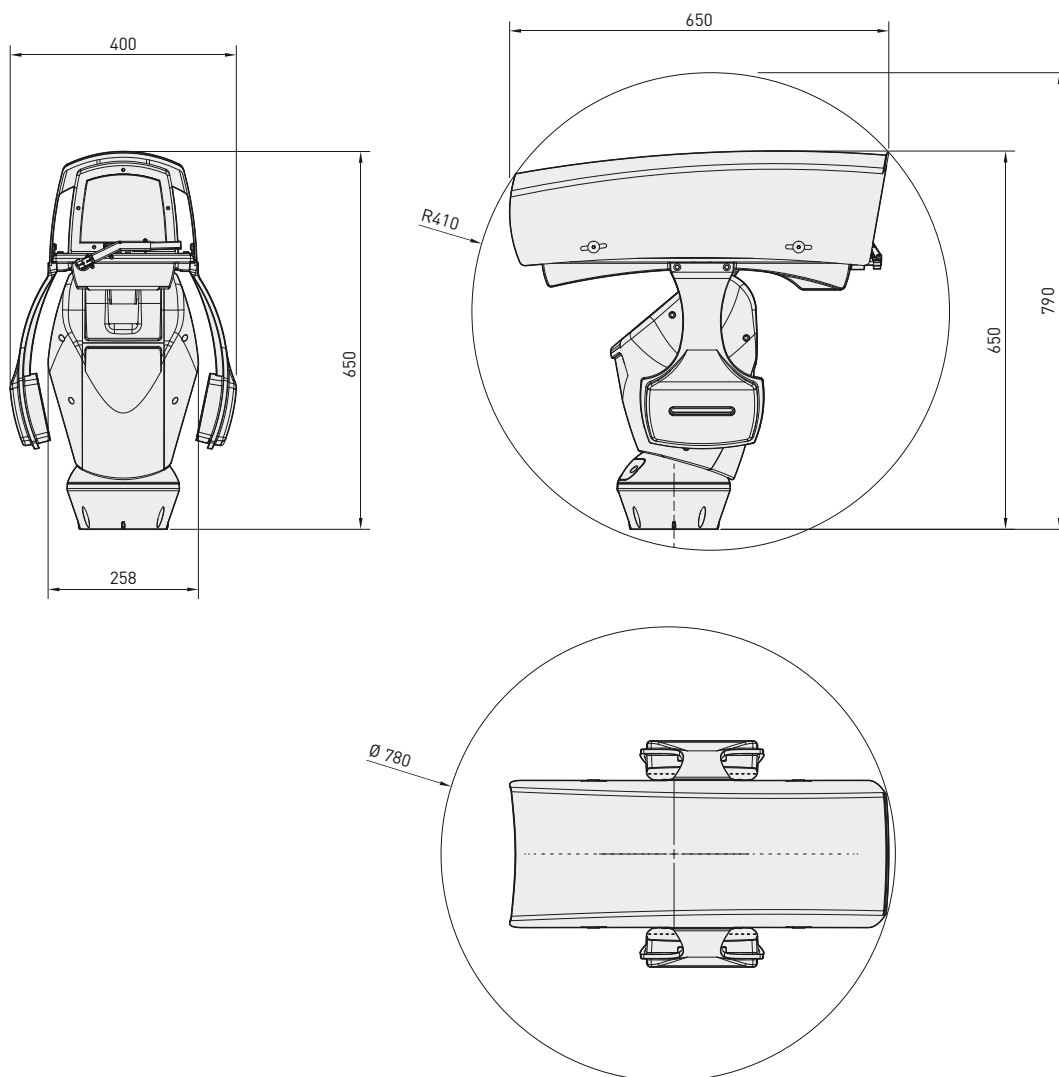
ULISSE MAXI

POSITIONING UNIT WITH XL-SIZED HOUSING



SOME COMPATIBLE LENSES WITH ULISSE MAXI

Manufacturer	Zoom -Lenses	Zoom
BOSCH	LTC3793/50	18X
BOSCH	LTC3293/50	20X
FUJINON	C22x17B-S41	22X
COMPUTAR	H30Z1015 series	
TOKINA	TM50Z1040N	50X
ERNITEC	Q10Z25SPNA	25X
ERNITEC	Q30Z25SPNA	25X
PENTAX	H18Z	18X
PENTAX	H20Z	20X



9
INTEGRATED POSITIONING UNITS

