



Easy & Compact



STH-350



STH-200

Indoor Housing **STH-350/200**

- For fixed lens application
- Rugged and compact all aluminum (STH-200), ABS (STH-350) construction
- Wall / Ceiling installations
- Easy to install slide-open type

SAMSUNG TECHWIN

SAMSUNG



Indoor Housing STH-350/200

The STH-350/200 are housings for indoor use which protect a camera from external stimulation such as dust, moisture, temperature, or impact. It is more convenient to install a camera by side and slide open style. The units offer stable operation environment of CCTV cameras along with beautiful design.



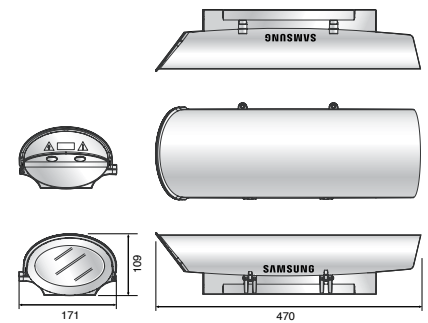
Specifications

Mode	STH-350	STH-200
Open Type	Side open	Side slide open
Materials	ABS (Plastic)	AL
Color	White	
Operating Temperature	-35°C ~ 50°C	
Operating Humidity	0 to 90% RH (non-condensing)	
Dimensions	171(W) x 109(H) x 470(D)mm	113(W) x 92(H) x 405(D)mm
Weight	1.3Kg	1Kg

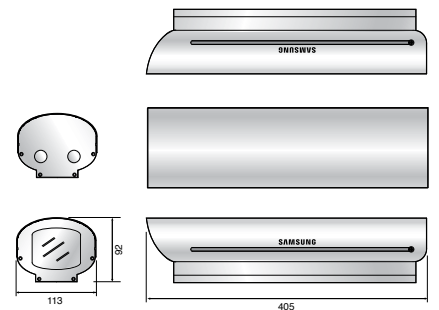
Dimensions

Unit : mm

STH-350

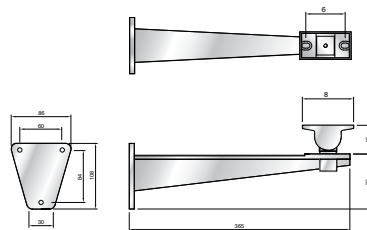


STH-200



Accessories

STB-400



The Eco mark represents Samsung Techwin's will to create environment-friendly products, and indicates that the product satisfies the EU RoHS Directive.

Design and specifications are subject to change without notice.



SAMSUNG TECHWIN CO., LTD.
145-3, Sangdaewon 1-dong, Jungwon-gu,
Seongnam-si, Gyeonggi-do Korea 462-703
Tel : +82-31-740-6151-8 Fax : +82-31-740-6145
www.samsungcctv.com

SAMSUNG OPTO-ELECTRONICS UK, LTD.
Samsung House, 1000 Hillswood Drive,
Hillswood Business Park Chertsey, Surrey KT16 0PS
Tel : +44-1932-45-5308 Fax : +44-1932-45-5325

TIANJIN SAMSUNG OPTO-ELECTRONICS CO., LTD.
7 Pingchang Rd., Nankai Dist, Tianjin 300190, P.R China
Tel : +86-22-2761-4724(33821) Fax : +86-22-2761-6514

■ DISTRIBUTED BY



I.D-0712