

# Dynamic 30X

*Speed Dome shines,  
even in the dark*



SPD-3300

## imagine 30X Dynamic Zoom beyond Darkness

The SPD-3300 is a 30X speed dome camera that employs Samsung Techwin SVIII DSP chipset with superior low light capability. It comes with diverse functions for 24-hour smart surveillance such as 30X optical zoom, ultra low light sensitivity of 0.003Lux, Day&Night switching with IR cut filter, 126X enhanced WDR, multiple protocols and a large array of installation accessories. The dome demonstrates the best reliability and performance in a variety of demanding applications.



**SAMSUNG TECHWIN**

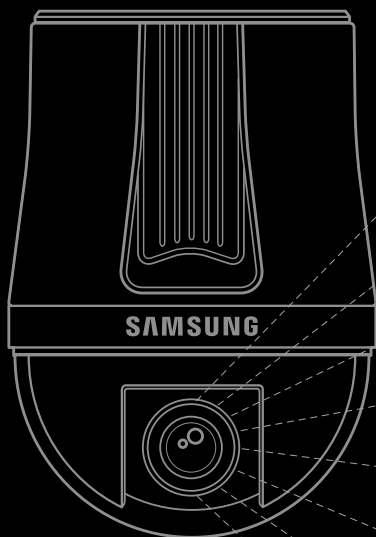


# Superb Optical **30X** Zoom

## **SVIII**, Technology Beyond Darkness

# **SPD-3300**

The SPD-3300 is a 30X speed dome camera that employs Samsung Techwin's SVIII DSP system with superior low light capability. Equipped with an optical 30X (f 3.3-99mm) A/F zoom lens, the SPD-3300 lets you zoom up to 240X and identify a vehicle registration number clearly from a far distance. It also provides clearer images during night time with ICR Day & Night feature. In addition, the SPD-3300 provides premium features such as ultra low light 0.003Lux@F1.6, wide dynamic range (WDR) enhanced by 126X, 128 presets, automatic digital flip to implement consistent high performance monitoring capability under any circumstances. Especially with the different accessories now available, it is easier than ever to install the product, regardless of the installation environment, with excellent installation cost savings. In particular, the SPD-3300 demonstrates the best stability and reliability in all conditions through Samsung's stringent systemic test designed to evaluate product characteristics of the PTZ Dome Camera.



### **ZOOM**

30X Optical Zoom (Focusing Distance : 3.3-99mm)

### **Low Light**

Ultra Low Light 0.003Lux

### **Day & Night**

24-hour Complete Monitoring, Day & Night (ICR Type)

### **WDR (Wide Dynamic Range)**

126X Enhanced Wide Dynamic Range (WDR)

### **Multi Function**

128 Preset Settings / Digital Flip

### **Protocol**

Supports Various Protocols with Excellent Compatibility

### **Easy Installation**

Various Convenient Installation Accessories

### **Application**

Various Applications



**SVIII** DSP chip

SAMSUNG

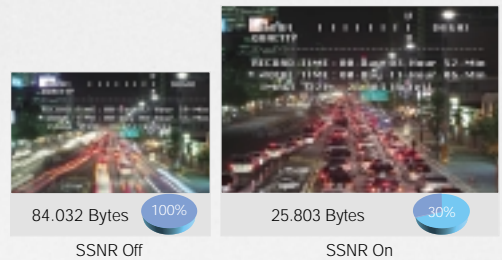




## Superior Ultra Low Light Optical **30X** Zoom

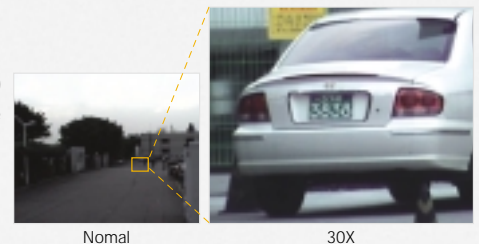
### Implementation of Low Light **0.003Lux**

The built-in SVIII DSP system of the SPD-3300 ensures clear recognition and visualization of an object under dark or extremely poor light conditions. With unrivalled low light 0.003Lux@F1.6, the SPD-3300 detects and captures an object under any low light condition. In addition, incorporating the SSNR technology that eliminates noise and ghost effectively, the SPD-3300 dramatically improves low light image quality and saves DVR recording capacity up to 70%.



### **30X** Optical Zoom (Focusing Distance : 3.3 ~ 99mm)

Equipped with the world's best optical 30X A/F zoom lens, the SPD-3300 implements powerful 240X zoom capability with 8X digital zoom. With the increased focusing distance of 3.3 ~ 99mm, the SPD-3300 captures an object from a far distance quicker and clearer.



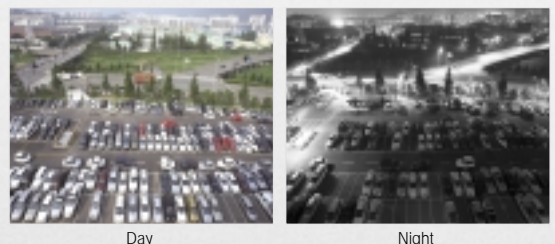
### Wide Dynamic Range (**WDR**) Enhanced by 126X

Based on unique sophisticated pixel-level histogram analysis technology provided by the SVIII DSP system, the SPD-3300 provides 52dB of wide dynamic range (WDR), which is 126X better than conventional wide dynamic range. It shows an object clearly in places with frequent back light such as a building lobby or an airport.



### 24-hour Complete Monitoring, **Day & Night** (ICR Type)

The SPD-3300 implements 520TV high-resolution colour video by using filter switching (ICR) Day & Night feature, and clearer 570TV B/W video during night time by automatically removing the filters.





## Various Special Features for Enhanced Round the Clock Surveillance



### 128 Preset Settings

The SPD-3300 lets you specify up to 128 settings of monitoring area, time and method for automatic monitoring. In particular, you can use the image hold feature to maintain an image while moving in the preset area, for increased monitoring convenience.  
- PTZ Tracing, Auto Swing, Group (Max. 6), Tour (Max. 6)

### Motion Detection

The SPD-3300 provides the motion detection feature that automatically recognizes a subject being monitored and generates a warning message or alarm. Up to 4 detection areas can be specified.

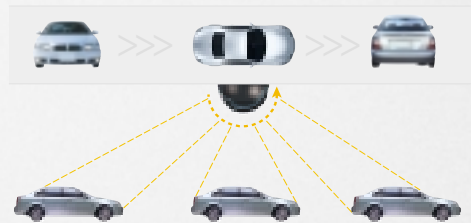


Motion Detected



### Digital Flip

Enables automatic tracking and monitoring through controller operation right below the camera of an object in motion.



### Wide Range White Balance

The automatic white balancing range has been expanded to 1,800°K ~ 10,500°K, enabling balanced implementation of original colours under sodium lights such as a tunnel or motorway.



### Convenient OSD Menu

Using the OSD menu that displays camera functions in characters on the screen, you can specify each camera function easily and conveniently.



A dome installed in the Housing with the Wall Bracket



>> STB-270PWW  
+ STH-330PIV/POV/320PO (Speed Dome Camera)

A dome installed in the Housing with the Wall Bracket and the Pole Mount



>> STB-330PPM + STB-270PWW  
+ STH-330PIV/POV/320PO (Speed Dome Camera)

A dome installed in the Housing with the Parapet Mount



>> STB-350PPM + STB-30PF  
+ STH-330PIV/POV/320PO (Speed Dome Camera)

A dome installed in the Housing with the Wall Bracket and the Corner Mount



>> STB-340PCM + STB-270PWW  
+ STH-330PIV/POV/320PO (Speed Dome Camera)

A dome installed with the Wall Bracket



>> STB-270PWW + STB-20PF + STB-330PC  
+ Speed Dome Camera

A dome installed with the Pendant Mount



>> STB-30PF + STB-20PF + STB-330PC  
+ Speed Dome Camera

A dome installed in the Housing with the Pendant Mount



>> STB-496PPV (STB-30PF included)  
+ STH-330PIV/POV/320PO (Speed Dome Camera)

# With diverse accessories, installation is easy and quick anywhere.

Accessories for the SPD series provide first-class installation convenience. With the new accessories including indoor/outdoor housings, it is now possible to install the product in locations such as in corners, on pillars, the upper parts of walls, and guardrails, where installation was difficult with the previously available accessories. In particular for indoor use, it is possible to install the camera using the STB-330PC, which is designed for camera installation without using a separate housing. It is also economical, as the STB-30PF flange is supplied separately, saving unnecessary outlay.

<p><b>STH-320PO</b></p>  <p><b>Outdoor Housing for PTZ Domes</b></p> <ul style="list-style-type: none"> <li>• Lightweight - Can be used with various wall and ceiling mounts</li> <li>• IP67</li> <li>• Aluminium diecasting, Poly carbonate dome cover</li> <li>• Easy to install with built-in housing connection plate</li> <li>• Dimensions : Ø243(W) x 281(H)mm</li> </ul>	<p><b>STH-330POV</b></p>  <p><b>Outdoor Housing for PTZ Domes</b></p> <ul style="list-style-type: none"> <li>• Can be used with various wall and ceiling mounts</li> <li>• Aluminium diecasting, Poly carbonate dome cover</li> <li>• Built-in fan / heater - IP67</li> <li>• Easy to install with built-in housing connection plate</li> <li>• Dimensions : Ø242(W) x 284.5(H)mm</li> </ul>	<p><b>STH-330PIV</b></p>  <p><b>Indoor Housing for PTZ Domes</b></p> <ul style="list-style-type: none"> <li>• Can be used with various wall and ceiling mounts</li> <li>• Aluminium diecasting, Poly carbonate dome cover</li> <li>• IP67</li> <li>• Dimensions : Ø242(W) x 284.5(H)mm</li> </ul>
<p><b>STH-330PEV</b></p>  <p><b>Flush-Mount Indoor Housing</b></p> <ul style="list-style-type: none"> <li>• Can be used with various wall and ceiling mounts</li> <li>• Aluminium diecasting, Poly carbonate dome cover</li> <li>• IP67</li> <li>• Dimensions : Ø242(W) x 284.5(H)mm</li> </ul>	<p><b>STB-270PWV</b></p>  <p><b>Wall Bracket for PTZ Domes</b></p> <ul style="list-style-type: none"> <li>• Can be used with the STH-330/320 housings</li> <li>• Easy to install, Rugged and high strength</li> <li>• Dimensions : 270(W) x 175(H) x 140(D)mm</li> </ul>	<p><b>STB-496PPV</b></p>  <p><b>Pendant Bracket for PTZ Domes</b></p> <ul style="list-style-type: none"> <li>• Can be used with the STH-330/320 housings</li> <li>• Easy to install, Rugged and high strength</li> <li>• Dimensions : 150(W) x 496(H)mm</li> </ul>
<p><b>STB-330PC</b></p>  <p><b>Ceiling Attachment Bracket for PTZ Domes</b></p> <ul style="list-style-type: none"> <li>• Can be used to attach a camera on ceiling with ease</li> <li>• For indoor applications</li> <li>• Rugged aluminium</li> <li>• Dimensions : Ø183(W) x 48.5(H)mm</li> </ul>	<p><b>STB-30PF</b></p>  <p><b>Ceiling Flange</b></p> <ul style="list-style-type: none"> <li>• Can be used to connect the STH-330/320 housings with a pole</li> <li>• Easy to install, Rugged and high strength</li> <li>• Dimensions : Ø126(W) x 67(H)mm</li> </ul>	<p><b>STB-20PF</b></p>  <p><b>Indoor Flange</b></p> <ul style="list-style-type: none"> <li>• Can be used to combine a camera and the STB-330PC with the STB-270PWV, 496PPV brackets</li> <li>• Easy to install, Rugged and high strength</li> <li>• Dimensions : Ø183(W) x 3mm</li> </ul>
<p><b>STB-330PPM</b></p>  <p><b>Pole Mount</b></p> <ul style="list-style-type: none"> <li>• Can be used to connect the STB-270PWV bracket with a pole</li> <li>• Easy to install, Rugged and high strength</li> <li>• Dimensions : 155(W) x 185(H) x 50(D)mm</li> </ul>	<p><b>STB-340PCM</b></p>  <p><b>Corner Mount</b></p> <ul style="list-style-type: none"> <li>• Can be used to install a camera and the STB-270PWV bracket on a wall corner</li> <li>• Easy to install, Rugged and high strength</li> <li>• Dimensions : 297(W) x 185(H) x 192(D)mm</li> </ul>	<p><b>STB-350PPM</b></p>  <p><b>Parapet Mount</b></p> <ul style="list-style-type: none"> <li>• Can be used to install the camera on a place higher above wall</li> <li>• Easy to install, Rugged and high strength</li> <li>• Dimensions : 680(W) x 920(H)mm</li> </ul>

Low Light, WDR, 30X PTZ Speed Dome Camera

# SPD-3300

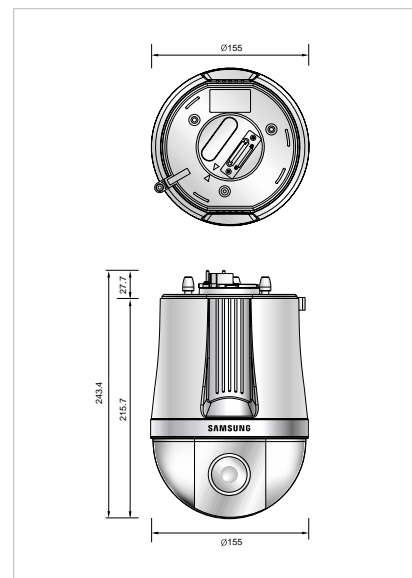


## Specifications

Mode	SPD-3300N	SPD-3300P
Power Source	24V AC ( $\pm 10\%$ )	
Power Consumption	Max. 10W	
Image Pick-up Device	1/4" Vertical double density interline CCD	
Total Pixels	811(H) x 508(V)	795(H) x 596(V)
Effective Pixels	768(H) x 494(V)	752(H) x 582(V)
Scanning System	2 : 1 Interlace 525 Lines / 60 Fields / 30 Frames	2 : 1 Interlace 625 Lines / 50 Fields / 25 Frames
Synchronization	Internal / Line lock selectable	
Scanning Frequency	Horizontal : 15,734KHz / Vertical : 59.94Hz	Horizontal : 15,625KHz / Vertical : 50Hz
Horizontal Resolution	Color : 520TV lines (Min.) / B/W : 570TV lines (Min.)	
Video Output	1.0Vp-p / 75 $\Omega$ (Video 0.714Vp-p, Sync 0.286Vp-p)	1.0Vp-p / 75 $\Omega$ (Video 0.7Vp-p, Sync 0.3Vp-p)
Zoom Ratio	30X, f3.3 ~ 99.0mm (F1.6 ~ 3.2)	
Min. Focus Distance	1.2m	
Angle Field of View	Horizontal : Appr. 58.0°(Wide) to 2.22°(Tele) / Vertical : Appr. 44.8°(Wide) to 1.68°(Tele)	
Digital Zoom	Built-in (2X ~ 8X, Total 240X zoom)	
S / N Ratio (Y signal)	50dB (AGC off, Weight on) 0.4Lux@F1.6 (Normal color mode) 0.08Lux@F1.6 (B/W mode) 0.003Lux@F1.6 (Sens-up mode)	
Min. Illumination		
Wide Dynamic Range	52dB	
Day & Night	Color / B/W / Auto selectable (ICR filter change)	
Gain Control	Low / Middle / High / Off selectable	
White Balance	ATW / AWC / Manual selectable (1800°K ~ 10,500°K)	
Electronic Shutter Speed	Auto / Manual selectable (1/60 ~ 1/120,000)	Auto / Manual selectable (1/50 ~ 1/120,000)
Sens-up	On / Off (Selectable limit ~ 128X)	
OSD	Built-in	
SSNR	Low / Middle / High / Off selectable	
Motion Detection	On / Off selectable (Output via terminal)	
Privacy Function	On / Off selectable (Max. 32 zones / 8 Programmable zones)	
Preset Positions	128 Positions	
Rotation Angle	Pan : 360° Endless / Tilt : -4° ~ -184° (Digital flip)	
Rotation Speed	Pan : 240°/sec (64 step) / Tilt : 240°/sec (64 step)	
Flip	Left / Right, Up / Down selectable	
Lens Initialization	Built-in	
Focus Control	Auto / Manual / One push selectable	
Iris Control	Auto / Manual selectable	
Protocols	PELCO-D, Panasonic, Vicon, Samsung Electronics	
Communication	RS-485, RS-422, RS-232C	
Operating Temperature	-10°C ~ +50°C	
Operating Humidity	20% ~ 75% RH	
Dimensions	$\varnothing 155$ (W) x 243.4(H)mm	
Weight	2.0Kg	

## Dimensions

Unit : mm



## Controller (Option)



The Eco mark represents Samsung Techwin's will to create environment-friendly products, and indicates that the product satisfies the EU RoHS Directive.

Design and specifications are subject to change without notice.



**SAMSUNG TECHWIN CO., LTD.**  
333-1, Sangdaewon 1-dong, Jungwon-gu,  
Seongnam-si, Gyeonggi-do Korea 462-807  
Tel : +82-31-730-8931-3 Fax : +82-31-730-8950  
www.samsungcctv.com

**SAMSUNG OPTO-ELECTRONICS UK, LTD.**  
Samsung House, 1000 Hillwood Drive,  
Hillwood Business Park Chertsey, Surrey KT16 0PS  
Tel : +44-1932-45-5308 Fax : +44-1932-45-5325

**TIANJIN SAMSUNG OPTO-ELECTRONICS CO., LTD.**  
7 Pingchang Rd., Nankai Dist. Tianjin 300190, P.R. China  
Tel : +86-22-2761-4724(338221) Fax : +86-22-2761-6514

DISTRIBUTED BY

