

Dennard 2060



DENNARD 2060 PRECISION SURVEILLANCE DOME

The combination of an aluminium pressure die cast outer body parts and impact resistant polycarbonate hemisphere makes the 2060 highly durable for use in a wide range of outdoor and indoor environments as well as being resilient to vandalism.

A high quality mechanism, combined with injection moulded optical quality hemisphere, and Sony 18x and 36x optical zoom colour / mono camera modules with dynamic privacy masking, enables 2060 users to monitor and record high quality images whilst complying with privacy and data protection legislation.

Using on-screen display menus currently available in 12 languages simplifies configuration and accessing features for authorised users, whilst PIN coding protects against unauthorised access.

The 2060 dome comes complete with DM / BBV / Baxall up-the-coax and multi-protocol RS485 telemetry making it compatible with industry standard control equipment and suitable for new installations as well as system camera upgrades.

A sunshield accessory is available and recommended for use when the dome is to be situated in locations subject to high ambient temperatures and strong sunlight

FEATURES

- ▶ **Optically correct hemisphere**
- ▶ **Vandal resistant hemisphere and housing**
- ▶ **2 year warranty**
- ▶ **Robust die-cast internal mechanism**
- ▶ **x18 and x36 optical zoom options**
- ▶ **Programmable fixed shutter speeds**
- ▶ **Colour / mono camera options for low light applications**
- ▶ **Full function, fixed and dummy options**
- ▶ **24 privacy zones (8 displayed at one time)**
- ▶ **Video lift and gain adjustments**
- ▶ **Quick mount release**
- ▶ **Advanced privacy patches, preset positions and tour facilities**
- ▶ **Optimised compatibility with Dedicated Micros controllers**
- ▶ **Clock & calendar functions for independent alarm masking**
- ▶ **Coax & multi-protocol RS485 control**
- ▶ **Multi-language options**

OPTIONS PRODUCT CODE	TYPE		CAMERA			FORMAT		HEMISPHERE		CONFIGURATION				PSU AND TELEMETRY OPTIONS		
	INDOOR	OUTDOOR	COLOUR ONLY 18X	18X COLOUR/ MONO	36X COLOUR/ MONO	PAL	NTSC	CLEAR HEMI	SMOKED HEMI	PTZ	SIDE ENTRY	FIXED	DUMMY	PSU DM/BBV/BAXALL UTC OR MULTI PROTOCOL RS485 TELEMETRY	PSU + 4 ALARM INPUTS + LIGHTING RELAY+ UTC OR DM RS485 TELEMETRY	PSU + 8 ALARM + RELAY OUTPUT DM/BBV/BAXALL UTC TELEMETRY
DM/2060-200	*		*			*			*	*				230VAC -24 VAC		
DM/2060-201		*		*		*		*		*				230VAC -24 VAC		
DM/2060-202	*		*			*			*	*					230VAC -24 VAC	
DM/2060-203		*		*		*		*		*					230VAC -24 VAC	
DM/2060-204	*		*			*			*	*						230VAC -24 VAC
DM/2060-205		*		*		*		*		*						230VAC -24 VAC
DM/2060-208		*		*		*		*				*		230VAC -24 VAC		
DM/2060-209		*		*		*		*		*	*			230VAC -24 VAC		
DM/2060-210	*		*			*			*	*				NOT INCLUDED		
DM/2060-211		*		*		*		*		*				NOT INCLUDED		
DM/2060-216		*		*		*		*		*	*				230VAC -24 VAC	
DM/2060-221		*		*			*	*		*				110VAC -24 VAC		
DM/2060-232		*		*			*	*		*				NOT INCLUDED		
DM/2060-241		*			*	*		*		*				230VAC -24 VAC		
DM/2060-243		*			*	*		*		*					230VAC -24 VAC	
DM/2060-245		*			*	*		*		*						230VAC -24 VAC
DM/2060-248		*			*	*		*				*		230VAC -24 VAC		
DM/2060-249		*			*	*		*		*	*			230VAC -24 VAC		
DM/2060-251		*			*	*		*		*				NOT INCLUDED		
DM/2060-283		PAINTED BLACK		*		*		*		*				230VAC -24 VAC		
DM/2060-006	*	*											INC. WALL BRACKET			

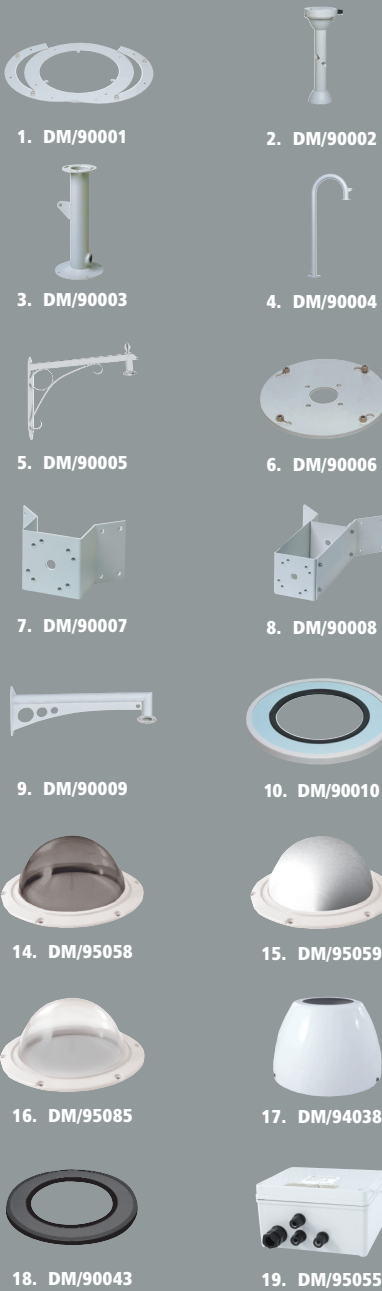
Part codes with no letter at the end specify on-screen menus and manuals in English, Dutch, French, Italian and Spanish e.g. DM/2060-200
 Part codes with N at the end specify on-screen menus and manuals in English, Danish, Finnish, German and Swedish e.g. DM/2060-200N
 Part codes with E at the end specify on-screen menus and manuals in English, Croation, Czech and Polish e.g. DM/2060-200E

PROTOCOL	UP THE COAX	RS485	RS485 ADDRESS RANGE
DENNARD / DM	YES	YES	120 ADDRESSES
BAXALL	YES		
BBV	YES		
PELCO P 4800		YES	60 ADDRESSES
BOSCH		YES	30 ADDRESSES
ULTRAK		YES	30 ADDRESSES

	2060 COLOUR PTZ (INDOOR)	2060 COLOUR/MONO PTZ (OUTDOOR)	2060 COLOUR/MONO Z (FIXED)
CAMERA MOVEMENT	0.05° to 300°/sec max (both axes) 360° continuous pan rotation	0.05° to 300°/sec max (both axes) 360° continuous pan rotation	Manually adjustable 360° pan, 90° tilt down
STORAGE CAPACITY	Up to 200 preset positions with 20 character programmable titles. 100 tours of up to 16 preset positions. 100 deep alarm response memory.	Up to 200 preset positions with 20 character programmable titles. 100 tours of up to 16 preset positions. 100 deep alarm response memory.	8 preset zoom positions.
VIDEO LAUNCH AMPLIFIER	0-4dB : 5 steps	0-4dB : 5 steps	
VOLTAGE	18-26Vac, 22-36Vdc	18-26Vac, 22-36Vdc	18-26Vac, 22-36Vdc
POWER CONSUMPTION	10W	20W (includes heater & fan)	20W (includes heater & fan)
OPERATING TEMPERATURE	0°C to + 50°C Max 90% humidity	-35°C to + 50°C Max 90% humidity	-35°C to + 50°C Max 90% humidity
MATERIAL	Pressure die-cast aluminium and injection moulded polycarbonate	Pressure die-cast aluminium and injection moulded polycarbonate	Pressure die-cast aluminium and injection moulded polycarbonate
ENVIRONMENT	IP66	IP66	IP66
FINISH	Polyester powdercoat Ash Grey (BS4800 00-A-01)	Polyester powdercoat Ash Grey (BS4800 00-A-01)	Polyester powdercoat Ash Grey (BS4800 00-A-01)
DIMENSIONS AND WEIGHTS			
DOME HEAD OUTSIDE (LXØ)	200 x 205mm 1.7kg	200 x 205mm 1.7kg	200 x 205mm 1.7kg
PSU	165 x 135 x 95mm 1.3kg	165 x 135 x 95mm 1.3kg	165 x 135 x 95mm 1.3kg
PSU + 4 ALARMS	170 x 175 x 100mm 1.5kg	170 x 175 x 100mm 1.5kg	
PSU + 8 ALARMS	170 x 175 x 100mm 1.5kg	170 x 175 x 100mm 1.5kg	

CAMERA MODULE	SUPER 18X COLOUR	18X COLOUR/MONO	36X COLOUR/MONO
TYPE	Sony HAD 1/4" CCD	Sony EX-view HAD 1/4" CCD	Sony EX-view HAD 1/4" CCD
RESOLUTION			
PAL	460TVL, 440k pixels	460TVL, 440k pixels	460TVL, 440k pixels
NTSC	470TVL, 380k pixels	470TVL, 380k pixels	470TVL, 380k pixels
PRIVACY MASKS	24 (up to 8 displayed at once)	24 (up to 8 displayed at once)	24 (up to 8 displayed at once)
SENSITIVITY			
COLOUR	0.05lux	0.05lux	0.05lux
MONOCHROME		0.01lux	0.01lux
ZOOM RANGE			
OPTICAL ZOOM	18x	18x	36x
FOCAL LENGTH	4.1 to 73.8mm (F1.4 to F3)	4.1 to 73.8mm (F1.4 to F3)	3.4 to 122.4mm (F1.6 to F4.5)
ANGLE OF VIEW	2.7° (tele) to 48° wide	2.7° (tele) to 48° wide	1.7° (tele) to 58° wide
DIGITAL ZOOM	12x	12x	12x

MOUNT OPTIONS



NO	PRODUCT CODE	DIMENSIONS	DESCRIPTION
1	DM/90001	Ø127xØ341mm	Tile Mount
2	DM/90002	H354xØ46mm; H160x193mm	Wall/Pendant Mount
3	DM/90003 DM/90012 DM/90013 DM/90014 DM/90046	H250-Ø44.5mm H500-Ø44.5mm H1000-Ø44.5mm H1500-Ø44.5mm H150-Ø44.5mm	Pendant Mount
4	DM/90004	H900xW300mm	Snowdrop Mount
5	DM/90005	customer requirements	Vintage style wall mount for 2060 Dome
6	DM/90006	Ø240xØ80mm	Ceiling Mount Plate
7	DM/90007	H126xW126x D80mm	Corner Bracket to convert existing wall bracket
8	DM/90008	H126xW176x D300mm	Extended Corner Bracket
9	DM/90009	L600xH190mm	Extended Wall Mount for Wall/Pendant Bracket DM/90002
10	DM/90010		White Rain Shield
11	DM/94002		3m Lead, Power, Data, Video
12	DM/94003		10m Lead, Power, Data, Video
13	DM/94004		20m Lead, Power, Data, Video
14	DM/95058		Hemisphere Assembly Smoked
15	DM/95059		Hemisphere Assembly Silvered
16	DM/95085		Hemisphere Assembly Clear
17	DM/94038		White Plastic Sunshield
18	DM/90043		Black Rain Shield
19	DM/95055		IP65 Replacement PSU, 230VAC to 24VAC
20	DM/94081		PSU With Integrated Video JPEG / MPEG-4 IP Encoder 230VAC
21	DM/94082		PSU With Integrated UTP Video (NVT) 230VAC

PLEASE CHECK THE WEBSITE FOR DETAILS OF COMPATIBLE PRODUCTS AND OTHER LATEST DEVELOPMENTS

Dedicated Micros UK
Dedicated Micros USA

1200 Daresbury Park, Daresbury, Warrington, WA4 4GB - Tel: +44 (0) 845 600 9500 Fax: +44 (0) 845 600 9504
14434 Albemarle Point Place, Suite 100, Chantilly, Virginia 20151 - USA Freephone: 800 864 7539
Tel: +1 703 904-7738 Fax: +1 703 904-7743 and 23456 Hawthorne Blvd, Suite 100, Torrance, CA 90505 Tel +1 310 791-8666 Fax: +1 310 791-9877

Dedicated Micros Canada
Dedicated Micros Germany
Dedicated Micros France
Dedicated Micros Asia
Dedicated Micros Australia

5580 Explorer Drive, Suite 501, Mississauga, Ontario L4W 4Y1 Tel: +1 905-602-6222 Fax: +1 905-602-6221
Neckarstraße 15a, 41836 Hüchelhofen, Germany - Tel: +49 243 352 580 Fax: +49 24 33 52 58 10
9-13 rue du Moulinet, 75013 Paris, France - Tel: +33 1 45 81 99 99 Fax: +33 1 45 81 99 89
16 New Industrial Road, #03-03 Hudson TechnoCentre, Singapore 536204 - Tel: +65 62858982 Fax: +65 62858646
2/9 Packard Avenue, Castle Hill, NSW 2154, Australia - Tel: +612 9634 4211 Fax: +612 9634 4811
Master Licence 404588736

Dedicated Micros New Zealand
Dedicated Micros Malta
Dedicated Micros Middle East
Dedicated Micros Slovenia
Dedicated Micros Benelux

4/36 William Pickering Drive, Albany, Auckland 0663, New Zealand - Freephone: 0800 364 276 Tel: +64 (09) 448 2366 Fax: +64 (09) 448 2369
BLB017, Bulebel Industrial Estate, Zejtun, ZTN08, Malta - Tel: +356 21483 673/4 Fax: +356 21449 170
Building 12, Suite 302, P.O.Box 500291, Dubai Internet City, Dubai, UAE - Tel: +971 (4) 390 1015 Fax: +971 (4) 390 8655
Delavska cesta 24, 4208 Sencur, Slovenia - Tel: +386 4 279 18 90 Fax: +386 4 279 18 91
Joseph Chantraineplantsoen 1, 3070 Kortenberg, Belgium - Tel: +32 2751 3480 Fax: +32 2751 3481



www.dedicatedmicros.com

The manufacturer reserves the right to change the specification without notice.

All trademarks are courtesy of registered owners. DV-IP is trademark of AD Holdings plc. The DM logo is a trademark of Dedicated Microcomputers group Ltd.
MKT-2060-D-004E

