

DDZ3 oXX-YY/HS/IP DOMERA®



DOMERA® is a modular high-speed PTZ dome system. The high-resolution Wide Dynamic Range IP colour dome cameras DDZ3 oXX-YY/HS/IP are available in different mounting variants (in-ceiling, surface, weather-proof) and with different zoom factors (18x, 26x, 36x). The cameras are shipped as a complete system (dome camera including mounting device). The maintenance-friendly modular concept allows for flexible planning and subsequent changes to the zoom factor can be made without effort.

- Horizontal resolution: up to 530 TV lines
- 1/4" EXview HAD CCD* sensor
- Pure Digital Signal Processing
- Three Wide Dynamic Range high-speed PTZ domes with 18x / 26x / 36x optical zoom are available
- Additional 12x digital zoom
- High sensitivity for low-light images
- ICR function for Day/Night switching
- Enhanced image quality by means of numerous control functions like AWB, AGC, BLC and slow shutter
- Auto-focus with manual override
- IP output and analogue preview output
- Motion detection with selectable sensitivity integrated
- Video compression with MPEG-2/-4, MJPEG or H.264 ¹⁾
- Resolution up to D1 and frame rate up to 25fps at all resolutions
- Alarm message via email and FTP image upload
- Integrated 64MB RAM video memory
- High-performance Pan/Tilt/Zoom mechanism
- 248 programmable preset positions, 16 programmable tours
- Three mounting appliances available with integrated IP I/O interface: in-ceiling, surface and weather-proof mount
- Easy and quick installation
- DIN EN 50130-4 compliant

1) In development

Variants	
200.021.010	DDZ3 018-IM/HS/IP PAL / 480 TVL / Day-Night / 18x optical zoom / high-speed / clear bubble / in-ceiling mount variant
200.021.011	DDZ3 026-IM/HS/IP PAL / 480 TVL / Day-Night / 26x optical zoom / high-speed / clear bubble / in-ceiling mount variant
200.021.012	DDZ3 036-IM/HS/IP PAL / 480 TVL / Day-Night / 36x optical zoom / high-speed / clear bubble / in-ceiling mount variant
200.021.013	DDZ3 018-SM/HS/IP PAL / 480 TVL / Day-Night / 18x optical zoom / high-speed / clear bubble / surface mount variant
200.021.014	DDZ3 026-SM/HS/IP PAL / 480 TVL / Day-Night / 26x optical zoom / high-speed / clear bubble / surface mount variant
200.021.015	DDZ3 036-SM/HS/IP PAL / 480 TVL / Day-Night / 36x optical zoom / high-speed / clear bubble / surface mount variant
200.021.016	DDZ3 018-WM/HS/IP PAL / 480 TVL / Day-Night / 18x optical zoom / high-speed / clear bubble / weather-proof variant
200.021.017	DDZ3 026-WM/HS/IP PAL / 480 TVL / Day-Night / 26x optical zoom / high-speed / clear bubble / weather-proof variant
200.021.018	DDZ3 036-WM/HS/IP PAL / 480 TVL / Day-Night / 36x optical zoom / high-speed / clear bubble / weather-proof variant
200.021.058	DDZ3 018-SM/HS/IP PAL / 480 TVL / Day-Night / 18x optical zoom / high-speed / clear bubble / surface mount variant / white housing (minimum order quantity and delivery periods upon request)
200.021.059	DDZ3 026-SM/HS/IP PAL / 480 TVL / Day-Night / 26x optical zoom / high-speed / clear bubble / surface mount variant / white housing (minimum order quantity and delivery periods upon request)
200.021.060	DDZ3 036-SM/HS/IP PAL / 480 TVL / Day-Night / 36x optical zoom / high-speed / clear bubble / surface mount variant / white housing (minimum order quantity and delivery periods upon request)
200.022.043	DDZ3 018-IM/HS/IP PAL / 530 TVL / Day-Night / 18x optical zoom / high-speed / clear bubble / in-ceiling mount variant
200.022.044	DDZ3 026-IM/HS/IP PAL / 530 TVL / Day-Night / 26x optical zoom / high-speed / clear bubble / in-ceiling mount variant
200.022.045	DDZ3 036-IM/HS/IP PAL / 530 TVL / Day-Night / 36x optical zoom / high-speed / clear bubble / in-ceiling mount variant
200.022.046	DDZ3 018-SM/HS/IP PAL / 530 TVL / Day-Night / 18x optical zoom / high-speed / clear bubble / surface mount variant
200.022.047	DDZ3 026-SM/HS/IP PAL / 530 TVL / Day-Night / 26x optical zoom / high-speed / clear bubble / surface mount variant
200.022.048	DDZ3 036-SM/HS/IP PAL / 530 TVL / Day-Night / 36x optical zoom / high-speed / clear bubble / surface mount variant
200.022.049	DDZ3 018-WM/HS/IP PAL / 530 TVL / Day-Night / 18x optical zoom / high-speed / clear bubble / weather-proof variant
200.022.050	DDZ3 026-WM/HS/IP PAL / 530 TVL / Day-Night / 26x optical zoom / high-speed / clear bubble / weather-proof variant
200.022.051	DDZ3 036-WM/HS/IP PAL / 530 TVL / Day-Night / 36x optical zoom / high-speed / clear bubble / weather-proof variant
200.022.061	DDZ3 018-SM/HS/IP PAL / 530 TVL / Day-Night / 18x optical zoom / high-speed / clear bubble / surface mount variant / white housing (minimum order quantity and delivery periods upon request)
200.022.062	DDZ3 026-SM/HS/IP PAL / 530 TVL / Day-Night / 26x optical zoom / high-speed / clear bubble / surface mount variant / white housing (minimum order quantity and delivery periods upon request)
200.022.063	DDZ3 036-SM/HS/IP PAL / 530 TVL / Day-Night / 36x optical zoom / high-speed / clear bubble / surface mount variant / white housing (minimum order quantity and delivery periods upon request)

Options	
200.401.4.51.02	Ceiling mount bracket, for weather-proof housing, white
200.401.4.52.02	Wall mount bracket, for weather-proof housing, white
200.401.4.53.02	Corner bracket, for wall mount bracket for weather-proof housing, white
200.401.4.54.02	Pole bracket, for wall mount bracket for weather-proof housing
200.441.999	Design colours for in-ceiling mount variant: Depending on customer demand, housing colour available according to RAL or Pantone colour scale, For enquires please contact design@dallmeier.com
200.620	Tinted bubble, for PTZ dome cameras / in-ceiling mount variant / , white cover ring
200.622	Wall mount bracket, for PTZ domes surface mount variant / black cover ring
200.630	Tinted bubble, for PTZ dome cameras / in-ceiling mount variant / black cover ring
129.303	VSC-1 (Video System Controller), for the control of cameras at the recorder
129.305.3	Joystick, Tri-axial joystick, only in combination with PView 7 Light, VideoNetView or PView 7
200.516.1	EV-C-1, High-Speed Ethernet data transmission via coaxial cable

* EXview HAD CCD is a trademark or registered trademark of the company Sony Corporation headquartered in Shinagawa, Tokio, Japan., Trademarks which are designated by ® are registered trademarks of Dallmeier electronic.

Overview technical specifications (DOMERA® IP)



DDZ3 018-YY/HS/IP DOMERA®



DDZ3 026-YY/HS/IP DOMERA®



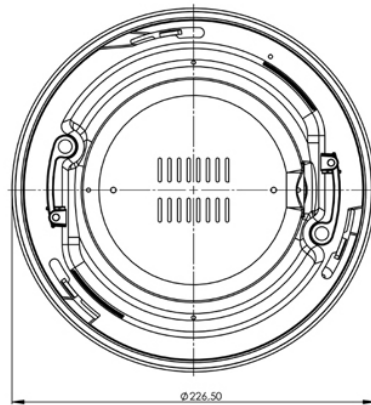
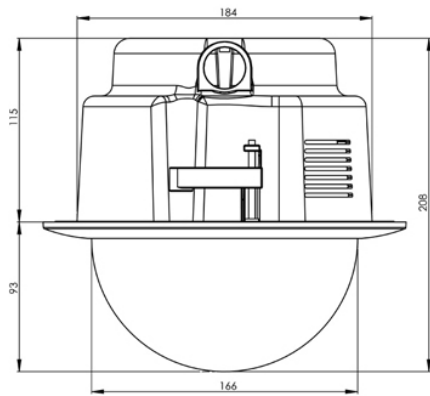
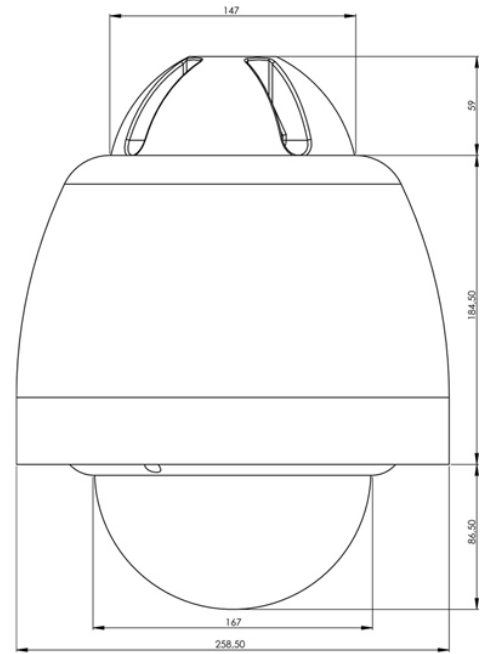
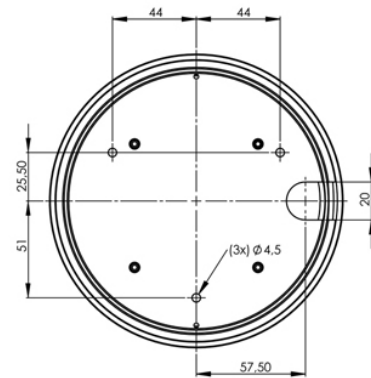
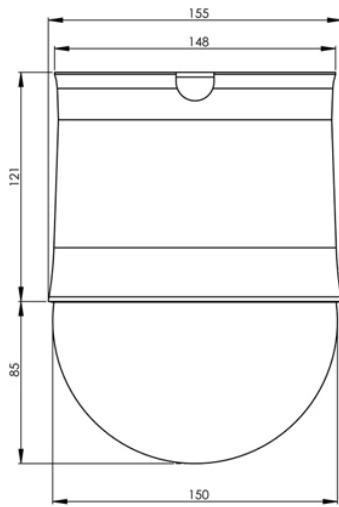
DDZ3 036-YY/HS/IP DOMERA®

Sensor	1/4" EXview HAD CCD* image sensor	1/4" EXview HAD CCD* image sensor	1/4" EXview HAD CCD* image sensor
Signal processing	Digital Signal Processing	Digital Signal Processing	Digital Signal Processing
Dynamic range	Wide Dynamic Range	Wide Dynamic Range	Wide Dynamic Range
Image capture	Interlaced	Interlaced	Interlaced
Transfer format	Interlaced or progressive	Interlaced or progressive	Interlaced or progressive
Image resolution	440,000 pixels	440,000 pixels	440,000 pixels
Horizontal resolution	530 TV lines	530 TV lines	530 TV lines
B/W and colour mode	Automatic / manual	Automatic / manual	Automatic / manual
Day/Night functionality	Mechanical ICR function for Day/Night switching	Mechanical ICR function for Day/Night switching	Mechanical ICR function for Day/Night switching
Light sensitivity	At F1.4, 50IRE: 0.7 lux, (-DN) 0.01 lux	At F1.6, 50IRE: 1 lux, (-DN) 0.01 lux	At F1.6, 50IRE: 1.4 lux; (-DN) 0.01 lux
Zoom	Optical: 18x, digital: 12x	Optical: 26x, digital: 12x	Optical: 36x, digital: 12x
Focus	Automatic, one push, manual	Automatic, one push, manual	Automatic, one push, manual
Flip function	Available	Available	Available
Shutter speed	1/1 s to 1/10,000 s (in 22 steps)	1/1 s to 1/10,000 s (in 22 steps)	1/1 s to 1/10,000 s (in 22 steps)
Signal to noise ratio (SNR)	> 50 dB	> 50 dB	> 50 dB
Brightness adjustment (ALC/AE)	Automatic / manual	Automatic / manual	Automatic / manual
Backlight compensation (BLC)	On/Off	On/Off	On/Off
Automatic gain control (AGC)	Automatic / manual (-3 to +28 dB in 2 dB steps)	Automatic / manual (-3 to +28 dB in 2 dB steps)	Automatic / manual (-3 to +28 dB in 2 dB steps)
Gamma correction	Automatic / manual	Automatic / manual	Automatic / manual
Adjustable white balance	AWB, MWB, One push WB, indoor, outdoor	AWB, MWB, One push WB, indoor, outdoor	AWB, MWB, One push WB, indoor, outdoor
AE presets	6 presets	6 presets	6 presets
Configuration	Via web browser	Via web browser	Via web browser
Languages	English, Spanish, German	English, Spanish, German	English, Spanish, German
Motion detection (VMD)	With selectable sensitivity	With selectable sensitivity	With selectable sensitivity
Privacy zones	8 dynamic zones	8 dynamic zones	8 dynamic zones
Alarm notification	Via e-mail and ftp upload	Via e-mail and ftp upload	Via e-mail and ftp upload
Functions			
Pan/ Tilt	360° endless / 0° - 180°	360° endless / 0° - 180°	360° endless / 0° - 180°
Variable speed	Pan: 120°/s, tilt: 120°/s (Turbo: 420°/s)	Pan: 120°/s, tilt: 120°/s (Turbo: 420°/s)	Pan: 120°/s, tilt: 120°/s (Turbo: 420°/s)
Preset speed	Pan: 420°/s, tilt: 420°/s (+/- 0.1°)	Pan: 420°/s, tilt: 420°/s (+/- 0.1°)	Pan: 420°/s, tilt: 420°/s (+/- 0.1°)
Programmable preset positions	248 positions	248 positions	248 positions
Programmable tours	16 (8 tours, 8 pattern)	16 (8 tours, 8 pattern)	16 (8 tours, 8 pattern)
Auto Scan, auto pan	16 scans, 1 pan	16 scans, 1 pan	16 scans, 1 pan
Lens specifications			
Iris range/ focal length range	F1.4-F3.0/ 4.1-73.8 mm	F 1.6 - F3.8/ 3.5-91.0 mm	F 1.6 - F4.5/ 3.4-122.4 mm
Iris control	DC auto iris	DC auto iris	DC auto iris
Horizontal angle of view	Approx. 48° - 2.8°	Approx. 54.3° - 2.2°	Approx. 57.8° - 1.7°
IR filtering	Included IR Cut filter	Included IR Cut filter	Included IR Cut filter
Format and coding			
Video/audio compression	MPEG-2, MPEG-4, MJPEG (H.264 tentative) / MPEG-1 Layer 2 (G.722 tentative)	MPEG-2, MPEG-4, MJPEG (H.264 tentative) / MPEG-1 Layer 2 (G.722 tentative)	MPEG-2, MPEG-4, MJPEG (H.264 tentative) / MPEG-1 Layer 2 (G.722 tentative)
Frame rate	6.25 / 12.5 / 25 fps	6.25 / 12.5 / 25 fps	6.25 / 12.5 / 25 fps
Video/audio bit rate	Up to 8 Mbps (6 Mbps typical) / up to 384 kbps	Up to 8 Mbps (6 Mbps typical) / up to 384 kbps	Up to 8 Mbps (6 Mbps typical) / up to 384 kbps
Resolution	QCIF, CIF, 2CIF, Half D1, 4CIF, Full D1	QCIF, CIF, 2CIF, Half D1, 4CIF, Full D1	QCIF, CIF, 2CIF, Half D1, 4CIF, Full D1
Interfaces			
Video outputs	1x CVBS/cinch (analogue preview)	1x CVBS/cinch (analogue preview)	1x CVBS/cinch (analogue preview)
Audio inputs	1x 3.5 mm phone jack (Line IN)	1x 3.5 mm phone jack (Line IN)	1x 3.5 mm phone jack (Line IN)
Ethernet	1x RJ45, 10BASE-T/100BASE-TX	1x RJ45, 10BASE-T/100BASE-TX	1x RJ45, 10BASE-T/100BASE-TX
Ethernet protocols	IPv4, TCP, UDP, ARP, ICMP, DHCP, NTP, HTTP, RTSP, IGMP V2, RTP, RTCP	IPv4, TCP, UDP, ARP, ICMP, DHCP, NTP, HTTP, RTSP, IGMP V2, RTP, RTCP	IPv4, TCP, UDP, ARP, ICMP, DHCP, NTP, HTTP, RTSP, IGMP V2, RTP, RTCP
Video buffer	64MB RAM ring storage (pre- and post alarm, network failure compensation)	64MB RAM ring storage (pre- and post alarm, network failure compensation)	64MB RAM ring storage (pre- and post alarm, network failure compensation)
Programming interface	Open API for 3rd party systems integration via Dallmeier ActiveX*	Open API for 3rd party systems integration via Dallmeier ActiveX*	Open API for 3rd party systems integration via Dallmeier ActiveX*
Further specifications			
Video norm	SDTV (PAL/NTSC)	SDTV (PAL/NTSC)	SDTV (PAL/NTSC)
Voltage supply	24/28V AC +/- 10% (50/60 Hz)	24/28V AC +/- 10% (50/60 Hz)	24/28V AC +/- 10% (50/60 Hz)
Power consumption	DDZ3 018-IM/HS/IP: max. 24 W DDZ3 018-SM/HS/IP: max. 24 W DDZ3 018-WM/HS/IP: max. 88 W	DDZ3 026-IM/HS/IP: max. 24 W DDZ3 026-SM/HS/IP: max. 24 W DDZ3 026-WM/HS/IP: max. 88 W	DDZ3 036-IM/HS/IP: max. 24 W DDZ3 036-SM/HS/IP: max. 24 W DDZ3 036-WM/HS/IP: max. 88 W
Dimensions	DDZ3 018-IM/HS/IP: approx. Ø 227 x H 208 mm DDZ3 018-SM/HS/IP: approx. Ø 155 x H 206 mm DDZ3 018-WM/HS/IP: approx. Ø 259 x H 330 mm	DDZ3 026-IM/HS/IP: approx. Ø 227 x H 208 mm DDZ3 026-SM/HS/IP: approx. Ø 155 x H 206 mm DDZ3 026-WM/HS/IP: approx. Ø 259 x H 330 mm	DDZ3 036-IM/HS/IP: approx. Ø 227 x H 208 mm DDZ3 036-SM/HS/IP: approx. Ø 155 x H 206 mm DDZ3 036-WM/HS/IP: approx. Ø 259 x H 330 mm
Weight	DDZ3 018-IM/HS/IP: approx. 2025 g DDZ3 018-SM/HS/IP: approx. 1755 g DDZ3 018-WM/HS/IP: approx. 4425 g	DDZ3 026-IM/HS/IP: approx. 2025 g DDZ3 026-SM/HS/IP: approx. 1755 g DDZ3 026-WM/HS/IP: approx. 4425 g	DDZ3 036-IM/HS/IP: approx. 2025 g DDZ3 036-SM/HS/IP: approx. 1755 g DDZ3 036-WM/HS/IP: approx. 4425 g
Operating temperature	DDZ3 018-IM/HS/IP (indoor): -10°C - 40°C DDZ3 018-SM/HS/IP (indoor): -10°C - 40°C DDZ3 018-WM/HS/IP (outdoor): -30°C - 50°C	DDZ3 026-IM/HS/IP (indoor): -10°C - 40°C DDZ3 026-SM/HS/IP (indoor): -10°C - 40°C DDZ3 026-WM/HS/IP (outdoor): -30°C - 50°C	DDZ3 036-IM/HS/IP (indoor): -10°C - 40°C DDZ3 036-SM/HS/IP (indoor): -10°C - 40°C DDZ3 036-WM/HS/IP (outdoor): -30°C - 50°C
Humidity	0% - 90% RH non-condensing	0% - 90% RH non-condensing	0% - 90% RH non-condensing
IP rating	IP67 (weather-proof variant)	IP67 (weather-proof variant)	IP67 (weather-proof variant)
Approvals/certifications	CE, FCC, UL, ACA, CB, DIN EN 50130-4	CE, FCC, UL, ACA, CB, DIN EN 50130-4	CE, FCC, UL, ACA, CB, DIN EN 50130-4

* EXview HAD CCD is a trademark or registered trademark of the company Sony Corporation headquartered in Shinagawa, Tokio, Japan., ActiveX is a trademark or registered trademark of the company Microsoft Corporation headquartered in Redmond, Washington, USA., Trademarks which are designated by ® are registered trademarks of Dallmeier electronic.

DDZ3oXX-YY/HS/IP DOMERA®

Technical drawings



[mm]