

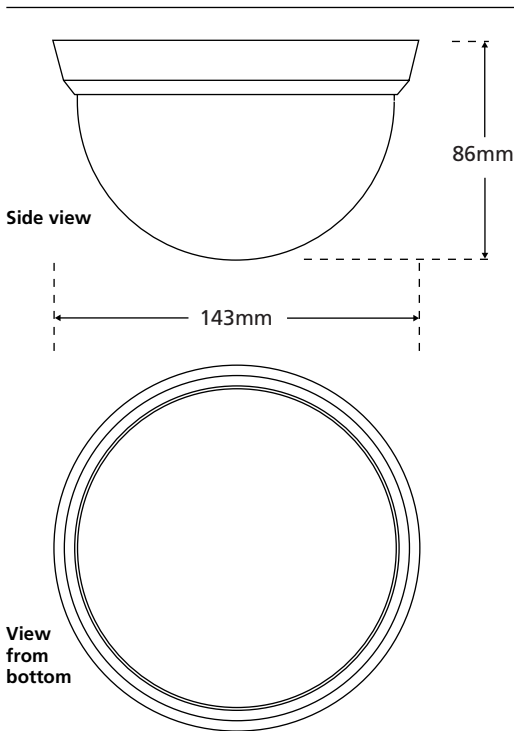


**DISCREET CAMERA**

**COLOUR**

**DM-710**

● Mini-dome high resolution colour camera



- Camera mounted on manually adjustable miniature 'swivel and tilt' cradle, for exact camera positioning
- Superb high definition picture quality
- Comes with black base plate and smoked dome. Also available with white base plate and clear dome
- Comes with free power supply
- Comes with free audio capability
- Comes with lint-free cleaning cloth to remove grease and dirt from case and lens

- 1/3" CCD
- 450 TV lines
- 5.0 lux sensitivity
- Supply voltage: 12 Vdc
- Audio output: 1V p-p

**Lens options**

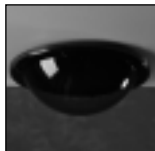
Lens	Product Code
<b>4.0mm</b>	<b>DM-710/A</b>
2.3mm	DM-710/A/2.3
5.6mm	DM-710/A/5.6
8.0mm	DM-710/A/8.0
16.0mm	DM-710/A/16.0

All lens options are the same price

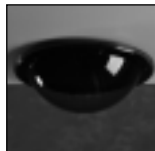
**See Also:**



**DM-510/A**  
High-resolution monochrome option



**DM-600**  
Vandal-resistant colour dome camera



**DM-604**  
Vandal-resistant multi-directional 4 camera dome

**SPECIFICATION**

Image sensor	MOD-715 camera module
Horizontal resolution	1/3" CCD sensor, 752 (H) x 582 (V) pixels
Lens options	450 TV lines or greater
Electronic shutter	SEE TABLE
Sensitivity	Automatic linear shutter
Video output	5.0 lux
Supply voltage	PAL, 1Vp-p, 75 Ohms,
Working temperature	12 Vdc ± 10%
	-5°C to +40°C

**VIDEO**

Microphone	Omni-directional electret
Audio output	1Vp-p, 600 Ohms
Audio bandwidth	100Hz - 10KHz, +/- 3dB

**AUDIO**

Specification and availability of products are subject to change without notice