

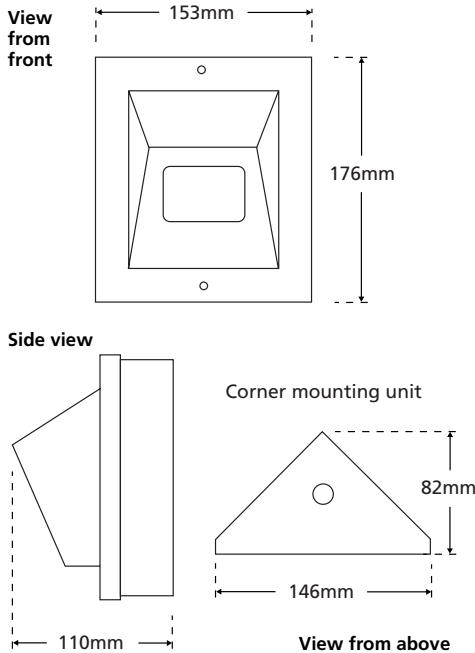


DISCREET CAMERA

MONOCHROME

CM-510VR

- Outdoor vandal-resistant high resolution monochrome corner mount camera



- 1/3" CCD
- 560 TV lines
- 0.2 lux sensitivity
- Supply voltage: 12 Vdc

Lens options

| Lens | Product Code |
|--------|---------------|
| 4.0mm | CM-510VR |
| 2.5mm | CM-510VR/2.5 |
| 6.0mm | CM-510VR/6.0 |
| 8.0mm | CM-510VR/8.0 |
| 12.0mm | CM-510VR/12.0 |

All lens options are the same price

- Superb picture quality
- Beige, powder-coated, 1.5mm stainless steel housing designed to IP65
- Easily replaceable, toughened, 4mm thick, polycarbonate viewing window
- Smoked viewing window also available - product code: VR-WGR
- Tamper-proof upgrade kit available - product code: VR-TRK
- Camera module mounted on manually adjustable miniature 'swivel and tilt' cradle, for exact camera positioning
- Comes with built-in 220Vac heater and thermostat to prevent misting

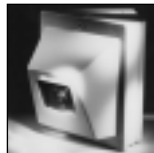
"These units are small, can withstand a very high level of abuse and we would recommend their use"

PSI Magazine Bench Test - October 1998

See Also:



CM-310VR/AI
Auto-iris option



CM-310VR
Standard resolution option



SM-610VR
Outdoor colour surface mount camera

| SPECIFICATION | MOD-507 camera module |
|-----------------------|---|
| Image sensor | 1/3" CCD sensor, 725 (H) x 582 (V) pixels |
| Horizontal resolution | 560 TV lines or greater |
| Lens options | SEE TABLE |
| Electronic shutter | Automatic linear shutter |
| Sensitivity | 0.2 lux |
| Video output | CCIR, 1Vp-p, 75 Ohms |
| Supply voltage | 12 Vdc ± 10% |
| Working temperature | -10°C to +50°C |

Specification and availability of products are subject to change without notice