

Network Video Recorder

Max Capacity: 2TB



Brickcom
www.brickcom.com

NR-1604



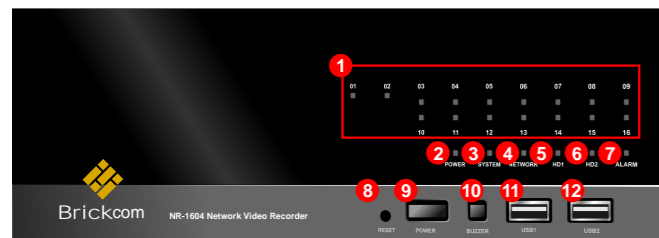
- Manage up to 16 Network Cameras
- High Quality Live/Playback Video
- Export Playback Videos to AVI
- Advance PTZ Control
- Linux-embedded Operating System
- Various Types of Event Alerts
- User Level Access Control
- Pure Web Based Administration
- Support of External UPS System

NR-1604

Network Video Recorder

The Brickcom NR-1604 is an ARM9-based Stand-alone NVR (Network Video Recorder). Featured with embedded Linux operating system, which is designed for remote monitoring, live viewing, recording, and multi-channel playback of pictures from IP cameras inside a network surveillance system,

The Brickcom NVR is equipped with a Gigabit Ethernet port and houses 2 SATA hard disks (Max Capacity: 2TB) for long-term recording. The support of external UPS systems ensures uninterrupted recording in case of power failure. The pictures from up to 16 network cameras can be recorded simultaneously over the network and be played back on a PC from a remote site. Support of Mega-pixel cameras and H.264 compression provides high-quality image recording and saves more bandwidth.

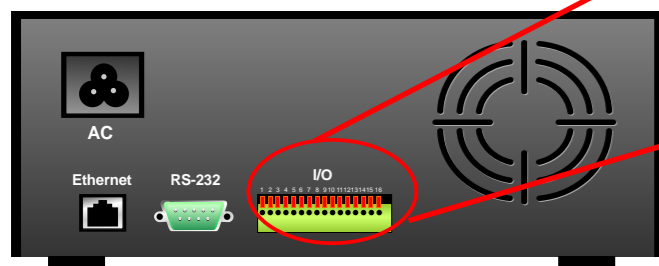


Using Microsoft Internet Explorer 7.0 or above in combination with a user-friendly interface makes local or remote management much easier and more convenient. No need to install other software on the PC.

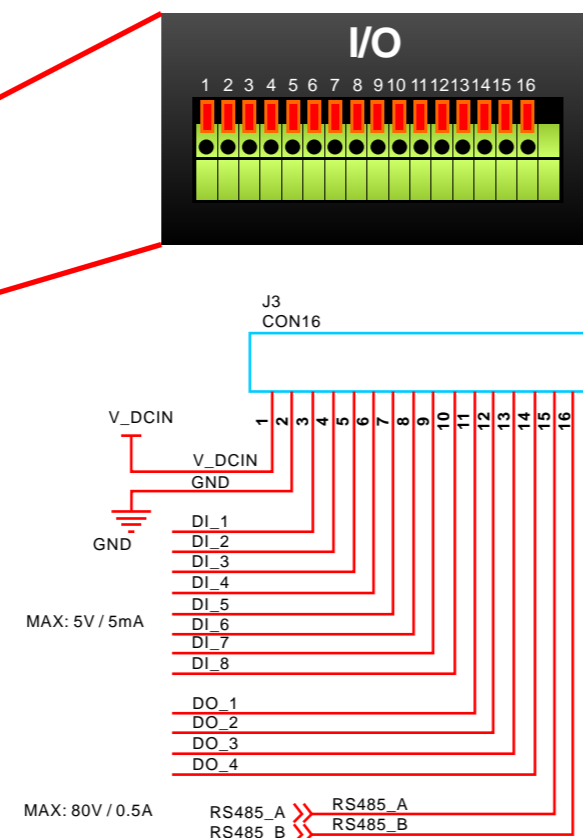
A max of 4 PCs is allowed to access the device concurrently to perform the settings and operations. Moreover its ability to automatically search and find the available cameras on the network can greatly reduce the efforts when expanding the system, which enables more scalability. The above advantages make the NR-1604 an economic solution for building a robust network surveillance system for SMB and SOHO users.

- | | |
|---------------------------|------------------------|
| 1. LEDs for camera status | 7. Alarm LED |
| 2. Power LED | 8. Reset Button |
| 3. System Status LED | 9. Power Button |
| 4. Network Status LED | 10. Buzzer Stop Button |
| 5. Hard Disk 1 Status LED | 11. USB 1 |
| 6. Hard Disk 2 Status LED | 12. USB 2 |

Digital Input and Output



Pin	Signal
1	DCIN
2	GND
3~10	Alarm Input
11	Out1
12	Out2
13	Out3
14	Out4
15	RS485+
16	RS485-



Hardware Specifications



NR-1604

CPU and Memory
ARM9 500Mhz/128MB DDR RAM

Ethernet
10BaseT / 100BaseT/1GBaseT and half duplex / full duplex auto-negotiation

HDD
SATA HDD Slot x 2 (SATA I or SATA II)
Max. Capacity: 2TB (1TB per HDD)

LED
Cameras/Power/System/Network/HD/Alarm

Buttons
Reset/Power/Buzzer

Connectors
USB x 2
RS-485
DI/DO Connectors
RS-232

Power
19V DC
Power consumption: 90W

Dimensions
243 x 218 x 72 mm
Weight
4.54Kg

Temperature
Operating: 5 °C ~ 45 °C/41 °F ~ 113 °F
Storage: -40 °C ~ 70 °C/-14 °F ~ 158 °F

Humidity
5% ~ 90% (non condensing)

Safety
FCC Class A/CE/UL

Warranty
Limited 2-year warranty

Software Specifications

NR-1604

Cameras
Add Camera: Manual/ Smart Camera Search
Max. Channels: 16ch

Video
Compression: MJPEG/MPEG-4/H.264
Resolution: MegaPixel/FD1/CIF/QCIF, up to 1280x1024
Max. Frame Rate: 480 fps (D1) in MPEG4

Audio
Compression : G.711

Live View
Display Mode:
Live View/Playback/Full Screen
Split Screen: 1/4/16
Full Screen: 1/4/16
PTZ Support: Virtual PTZ Panel/Auto Pan/Preset Point/
Preset Sequence

Sequence Mode:
Sequence All/Manually Selected cameras in 1/4 split view
with configurable timer

E-Map Monitor:
E-Map Display Live videos with instant event notification

Snapshot:
Video snapshot in JPEG format

Recording
Capacity: Depends on hard disk
Recording Mode: Manual/Continuous/Scheduling/Event
Scheduling Types:
Manual Select/Profile-based/Weekly Mode

Network
Protocols: HTTP/SMTP/DHCP/ARP/NTP/DNS/UPnP/FTP
Streaming Protocols:
Depend on the supported cameras

Playback
Split Screen: 1/4
Search Methods: Time /Date, Event
Playback Controls: Play/Pause/Stop/Forward/
Reverse (Speed Adjustable)/Frame by Frame
Export AVI: Export Playback Videos to Local Computer in AVI Format

Triggers & Events
Event : System Events -- System Start/Shutdown, System Settings
modified, Camera Settings Modified, Start Recycle, Disk Full
Camera Events Motion/Sensor Detection
Event Actions: HTTP/Mail/FTP/Buzzer/Record
Event Recording: Pre/Post Event Settings

User Management
Management: User/Group
Number of Groups:
7 (Administrator/Guest/User Define*5)
Privileges:
Live View/Playback/System Configurations/Camera Configurations/
Recording Configuration/Event Configuration/Maintenance

Central Management
Central Management: Support Brickcom BCMS16

Power & Storage
UPS: Support External UPS System
Storage: Support SATAx2, Max. 1TB per drive

Logs
Logs Types: Alert/Event/User Access

Systems
Mini. Hardware Requirements:
CPU: Intel Pentium 4 or higher @ 2Ghz
RAM: 1GB or above
Network: 100 Megabit Network Interface or above
Mini. Software Requirements:
IE Browser version 7 or above

General
Languages : English
Packaging : NR-1604 (HD NOT included)/
CD with Software tool/Datasheet/Quick Guide/User's Manual/
Warranty Card/Power Adapter