

Electric Mini Bolt

EB501

The ALPRO EB501 Electric Mini Bolt allows for remote access and exit control of most timber, metal and UPVC Doors. Suitable for sliding or swing, single and double action operations. It can be fitted in the frame or in the door and is also suitable for narrow profile joinery cabinets and showcases

Function

Fail Open/Power to Lock

Construction

Stainless steel bolt (12mm diameter and throw) and strike plate provide secure locking.

Electrical Features

Voltage 12v DC±15%
 Activating current 700mA
 Holding current 100mA
 Continuously rated solenoid
 Fully protected against transient & reverse polarity

Versatile Installation

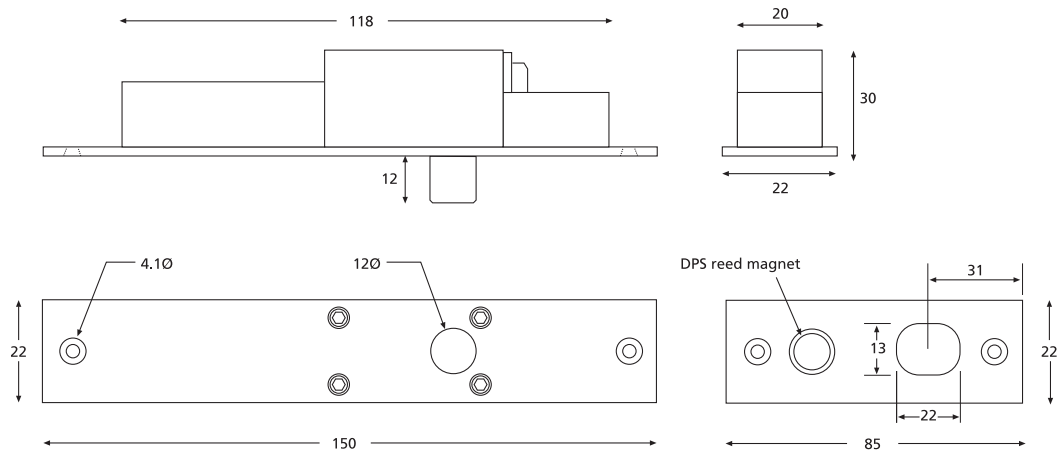
Designed to provide concealed high security locking on any single or double action, hinged or sliding door in timber or metal for vertical or horizontal mounting. Also suitable for cabinets and showcases.

Monitoring

Door position switch.

Auto Relock Function

Can be set for 0,3,6 or 9 seconds



Ordering Information/Specifications

DESCRIPTION	FUNCTION	CODE
Electric Mini Bolt	Fail Open- Power to Lock Monitored	EB501-22

Bolts

Selection Chart

	Slimline Security	Key Override	High Security	Security	Security
Holding Force kg	1,000	1,000	2,000	-	-
Deadlocking	✓	✓	✓	-	-
Bolt material	SS	SS	SS	SS	SS
Bolt throw mm	16	16	14	15	12
Bolt diameter mm	12.7	12.7	14.3	15	12
Face plate material	SS	SS	SS	ALI	ALI
Face Plate width mm	25	25	38	34/38	22
Overall dimension mm					
Length	210	280	203	203	150
Width	25	25	37.5	34/38	22
Depth	42	42	44	37	30
Back box dimension mm					
Length	164	230	162	167	118
Width	22	22	33	28	20
Depth	39	42	41	34	22
Current @ 12vDC					
Activate	1100mA	1100mA	1400mA	1000mA	700mA
Hold (after 200ms) *8 secs	210mA	210mA	260mA	250mA*	100mA
Current @ 24vDC					
Activate	1000mA	1000mA	1100mA	-	-
Hold (after 200ms)	90mA	90mA	105mA	-	-
Monitoring					
Bolt position indicator	✓	✓	✓	✓	-
Door position switch	✓	✓	✓	✓	✓
Access Control Module					
Auto unlock period 8 secs	✓	✓	✓	-	-
Multiple relocking - 9 attempts over 16 secs	✓	✓	✓	-	-
Auto lock time delay - zero, 3, 6 or 9 secs)	-	-	-	✓	✓
Surface Mount Kit	SS	SS	SS	-	-
CE Approved	✓	✓	✓	-	-
Guarantee	5 years	5 years	5 years	3 years	3 Years
SERIES REF	TB25	TB25KO	TB38	EB1001	EB501