



Aegis SuperLED Illuminator



- ▶ **Patent-pending Constant Light technology ensures consistent illumination**
- ▶ **3D Diffuser technology (Black Diamond) delivers even illumination designed specifically for CCTV**
- ▶ **Enables the optimum nighttime performance of analogue and megapixel cameras, IP platforms, and video analytics**
- ▶ **Reduced power consumption for a greener, more environmentally friendly solution with lower operating costs**

Aegis illuminators feature Constant Light technology which automatically controls and adjusts light output to compensate for LED degradation and temperature changes. LED degradation results in poor light output, reduced image quality, and reduced illumination range. The Constant Light patent-pending technology maintains a constant level of light throughout the life of the illuminator, thus overcoming this performance-related issue identified by security consultants, installers, and end users alike.

3D Diffuser technology (Black Diamond) micro-refractive lens technology enables increased surveillance range, wider beam patterns, and evenly illuminated night-time surveillance images. Specifically designed for energy efficient operation, Aegis can be powered directly from any 12 to 24 VDC or 24 VAC supply for faster, flexible, cost effective installations.

- When used with encoding and digital recording systems, even illumination reduces bit rate and so lowers storage requirements

Controlled by Constant Light Technology

- Maintains a constant level of lighting performance for the life of the illuminator
- Maintains a constant level of lighting performance when operated at varying ambient temperatures

Installer friendly installation features

- Low voltage input to the illuminator for safe installation
- Illuminator link port allows one illuminator to switch all others in a master/slave configuration
- Dual-mode camera port allows color/mono control from or to the camera
- Easy connection using dedicated cables

High Efficiency Surface Mount LEDs

- Industry-leading thermal management and super high-efficient LEDs deliver maximum illumination

Functions

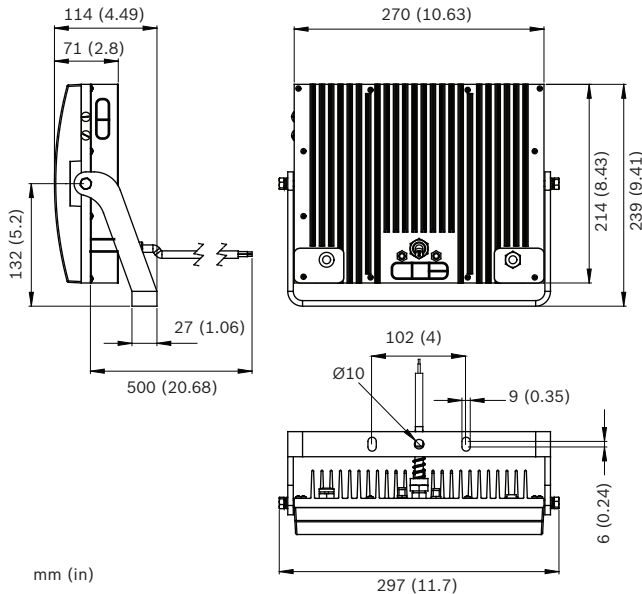
- 3D diffuser technology eliminates hotspots in the foreground and underexposed backgrounds
- Delivers even illumination designed specifically for CCTV
- Dramatically improves night-time imaging, reducing noise and increasing video signal

Certifications and Approvals

Region	Certification
Europe	CE
USA	FCC + UL

Installation/Configuration Notes

Dimensions



Technical Specifications

Aegis SuperLED Infrared

Wavelength	850 nm and 940 nm
Color	Black anodized heat sink with black front fascia
LEDs	High efficiency surface mounted LED array with current-limited integral power circuit
Beam Patterns	10°, 20°, 30°, 60°, 95°, 120°
Consumption	50–90 W (90 W max power)
Input Voltage	12 to 24 VDC or 24 VAC, 50/60 Hz
Temperature Range	–40°C to +50°C (–40°F to 122°F) max. on full power
Environmental	IP66
Construction	Robust, aluminum construction with acrylic front fascia
Weight	3.8 kg (8.4 lb)
Dimensions	305 x 240 x 110 mm (11.9 x 9.4 x 4.4 in)
Power Cable	4 m (13 ft)
Bracket	Wall mount U-bracket supplied

Aegis SuperLED Performance Ranges

Model	Wave-length	Beam Patterns	Achievable Distance*	HFOV
SLED10-8BD	850 nm	10°	320 m (1050 ft)	52 m (170 ft)
SLED20-8BD	850 nm	20°	200 m (655 ft)	70 m (230 ft)
SLED30-8BD	850 nm	30°	160 m (525 ft)	85 m (275 ft)
SLED60-8BD	850 nm	60°	110 m (360 ft)	130 m (425ft)

Model	Wave-length	Beam Patterns	Achievable Distance*	HFOV
SLED95-8BD	850 nm	95°	85 m (275 ft)	185 m (605 ft)
SLED120-8BD	850 nm	120°	55m (180 ft)	190 m (625 ft)
SLED10-9BD	940 nm	10°	190 m (625 ft)	32 m (105 ft)
SLED20-9BD	940 nm	20°	120 m (395 ft)	42 m (135 ft)
SLED30-9BD	940 nm	30°	95m (310 ft)	50 m (165 ft)
SLED60-9BD	940 nm	60°	65 m (210 ft)	75 m (245 ft)
SLED95-9BD	940 nm	95°	45 m (145 ft)	100 m (330 ft)
SLED120-9BD	940 nm	120°	30 m (100 ft)	110 m (360 ft)

* Actual illumination distance achieved is dependent on camera and lens characteristics. Use a high performance 1/2-inch format camera and IR-corrected lens at F1.4 to achieve a minimum SN ratio of 20dB.

Ordering Information

SLED10-8BD AEGIS Illuminator AEGIS Intelligent-IR SLED illuminator, 10°, 850 nm	SLED10-8BD
SLED20-8BD AEGIS Illuminator AEGIS Intelligent-IR SLED illuminator, 20°, 850 nm	SLED20-8BD
SLED30-8BD AEGIS Illuminator AEGIS Intelligent-IR SLED illuminator, 30°, 850 nm	SLED30-8BD
SLED60-8BD AEGIS Illuminator AEGIS Intelligent-IR SLED illuminator, 60°, 850 nm	SLED60-8BD
SLED95-8BD AEGIS Illuminator AEGIS Intelligent-IR SLED illuminator, 95°, 850 nm	SLED95-8BD
SLED120-8BD AEGIS Illuminator AEGIS Intelligent-IR SLED illuminator, 120°, 850 nm	SLED120-8BD
SLED10-9BD AEGIS Illuminator AEGIS Intelligent-IR SLED illuminator, 10°, 940 nm	SLED10-9BD
SLED20-9BD AEGIS Illuminator AEGIS Intelligent-IR SLED illuminator, 20°, 940 nm	SLED20-9BD
SLED30-9BD AEGIS Illuminator AEGIS Intelligent-IR SLED illuminator, 30°, 940 nm	SLED30-9BD
SLED60-9BD AEGIS Illuminator AEGIS Intelligent-IR SLED illuminator, 60°, 940 nm	SLED60-9BD
SLED95-9BD AEGIS Illuminator AEGIS Intelligent-IR SLED illuminator, 95°, 940 nm	SLED95-9BD
SLED120-9BD AEGIS Illuminator AEGIS Intelligent-IR SLED illuminator, 120°, 940 nm	SLED120-9BD

Ordering Information**Accessories**

PSU-224-DC100 Universal Power Supply Universal Power Supply 2x24 VDC	PSU-224-DC100
--	----------------------

UFLED-CL-1M Link Cable 1 m (3.3 ft) telemetry link cable for Aegis illuminators	UFLED-CL-1M
---	--------------------

UFLED-CI-5M Switching Cable 5 m (16.4 ft) remote telemetry or day/night switching cable for Aegis illuminators	UFLED-CI-5M
--	--------------------

Americas:
Bosch Security Systems, Inc.
130 Perinton Parkway
Fairport, New York, 14450, USA
Phone: +1 800 289 0096
Fax: +1 585 223 9180
security.sales@us.bosch.com
www.boschsecurity.us

Europe, Middle East, Africa:
Bosch Security Systems B.V.
P.O. Box 80002
5600 JB Eindhoven, The Netherlands
Phone: + 31 40 2577 284
Fax: +31 40 2577 330
emea.securitysystems@bosch.com
www.boschsecurity.com

Asia-Pacific:
Robert Bosch (SEA) Pte Ltd, Security Systems
11 Bishan Street 21
Singapore 573943
Phone: +65 6258 5511
Fax: +65 6571 2698
apr.securitysystems@bosch.com
www.boschsecurity.com

Represented by