

GXD-1510M/IR

Home | Security | IP Dome Cameras | Fixed

GXD-1510M/IR

1/3" Network Dome, Fixed, Day&Night, 3.3-12mm,

1280x960, IR LEDs, PoE, ONVIF

Art-Nr. 92579



Main Features

1/3" Sony 1,3Megapixel CMOS sensor

Sensitivity of: 0.5Lux at F1.2 (colour)

Varifocal lens: F1.4/3.3-12mm

Removable IR cut filter (ICR)

Sensitivity enhancement (DSS function)

Digital wide dynamic range: 64dB (D-WDR)

Integrated activity detection

Simultaneous MJPEG and MPEG-4 video streaming

Audio & alarm in/outputs

Recording by SD card / Alarm notification

Supports up to 25 ips. (PAL)

Vandal resistant dome housing for outdoor

Specifications

Series	eneo GL
System	Day&Night
Video standard	CCIR/PAL
Sensor size	1/3"
Imager	CMOS, Sony IMX035
Synchronization	internal
Digital signal processing (DSP)	TI TMS320DM355 (digital media processor)
Sensitivity (at 50% video signal)	0,5 Lux, (colour), 0.3Lux (B&W) at F1.2 (measured)
Automatic gain control (AGC)	ON/OFF switchable
Manual electronic shutter (MES)	1/50sec. ~1/1000sec.
Digital Noise Reduction (DNR)	no
Low Speed Shutter	yes
Low speed shutter	2 ~64 Fps., ON /OFF switchable

GXD-1510M/IR

(Continuation Spezifications)

White balance	AWB, Indoor / Outdoor switchable
Backlight compensation	no
Wide Dynamic Range (WDR)	yes
Flickerless function	yes
Switchable IR cut filter	yes
IR cut filter	switchable
Mirror function	horizontal, vertical
Privacy zones masking	ON/OFF switchable
Activity detection	yes
Motion detector	96 areas, 5 levels
Text display	11 character labels, ON/OFF switchable
Sharpness correction	adjustment range: 0 -8
Brightness	adjustment range: 0 -8
Menu languages	English, German, Italian, French, Dutch, Spanish, Portuguese, Polish, Swedish, Finnish, Hungarian, Romanian, Czech, Turkish, Chinese
OSD function control	H/V flip (Mirror picture), Positive/Negative, D-WDR, Sharpness & Brightness correction, Exposure, White balance, Motion detection, Privacy zones masking, Day&Night (automatic / manual), Text, Image size and bit rate
Internal adjustments	Camera position, Angle of view & focus, Reset
Internal connections	5 pin Mini USB, SD card slot
External connections	Video (BNC), Network (RJ-45), Audio & Alarm Inputs/Outputs, RS-485, Power inputs#
Video outputs	composite (CVBS), 1Vp-p (C)VBS, 75ohms, BNC
Audio support	yes
Audio	1/1 Line input and output
Alarm inputs	yes, 2x TTL
Alarm outputs	TTL (5V / 200mA max.)
Alarm handling	via FTP, HTTP or SMTP. External output activation. SD/SDHC card recording, CMS S/W recording
Internal storage	SD card
Compression standard	MJPEG, MPEG-4
Audio standards	(G.726 / G.711 (μ -law)
Resolution max.	1280 x 960
Resolution	1280x960, 1280x720, 640x480, 320x240, 160x120
Image transm. rate max.	25 B./Sek.
Frame rate	25 Fps. max. at 1280x960 px.
Bandwidth	Controllable bandwidth and frame rate
Stream types	MPEG-4, MJPEG multiple
Image display	Via Web Browser or Viewer Software
Ethernet interface	10Base-T, 100Base-TX

GXD-1510M/IR

(Continuation Specifications)

Network protocols	IPv4, ARP, SMTP, ICMP, DNS, DDNS, HTTP, HTTPS, FTP, DHCP, UPnP, RTSP, RTP, RTCP, TCP, UDP, PPPoE
Lens type	varifocal
Lens	F1.4/3.3 ~12mm
Lens mount	integrated lens
Focal length	3,3 mm - 12 mm
Horizontal angle of view	72° - 22,6°
Digital Zoom	2x ~10x
Iris control	DC
MOD (Minimum object distance)	0,5 m
Illumination	infrared, 18x LED 850nm
Illumination range	approx. 20m (at a good light reflexion and 40% Videosignal)
Pre-alarm recording	up to 4sec.
Search function	Alarm/Event/Time searching
Serial interfaces	RS-485, Protocols: Pelco P & D
Remote configuration	via Remote Software
Access	16 Users simultaneous support
Software update	SD card / HTTP (Web browser)
Password protection	yes
PTZ Support	no
Rotation range	359°
Supply voltage	12VDC, 24VAC, PoE
Power over Ethernet	yes
Heater	no
Power consumption	12W
Mounting	wall mount, ceiling mount
Temperature range (Operation)	0°C ~+50°C
Vandalism resistant	yes
Housing	Outdoor
Housing material	aluminium
Colour (housing)	Pantone Warm Gray 1C
Bubble	PC plastic bubble, vandal resistant
Colour (bubble)	clear
Protection rating	IP66
Management Software Support	CMS Software
ONVIF	version 1.01
Certificates	CE
Remarks	Free bundle recording software, SDK incl. HTTP-API and ActiveX available
Dimensions (HxWxD)	see drawing

GXD-1510M/IR

(Continuation Specifications)

Weight	1.15kg
Parts supplied	PSU 100~240V/12VDC with power cord, USB cable, CMS software, Manuals

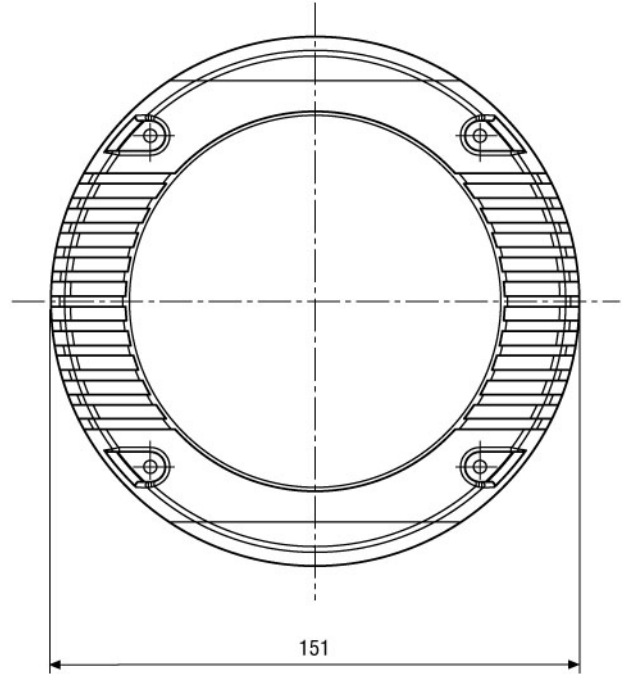
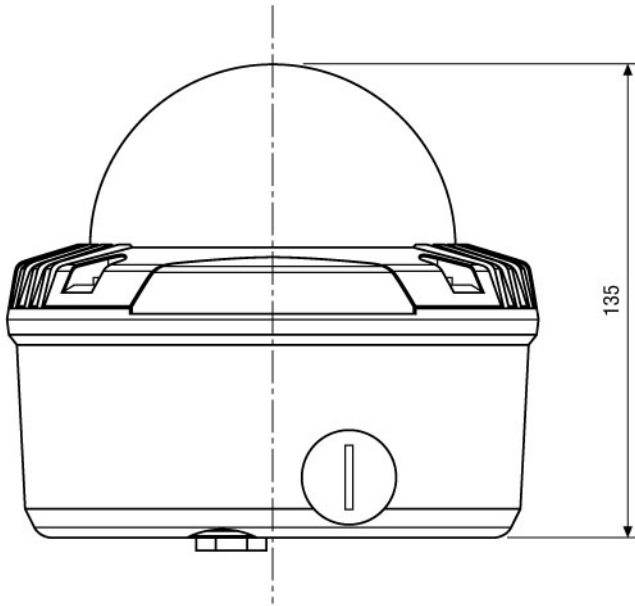
Optional accessories

92547	GL CMS-MANAGER	Viewer and Control Software for eneo Network Series GL, MJPEG, MPEG4, H.264
--------------	-----------------------	---

GXD-1510M/IR

Home | Security | IP Dome Cameras | Fixed

Technical drawing



Maße/Dimensions: mm