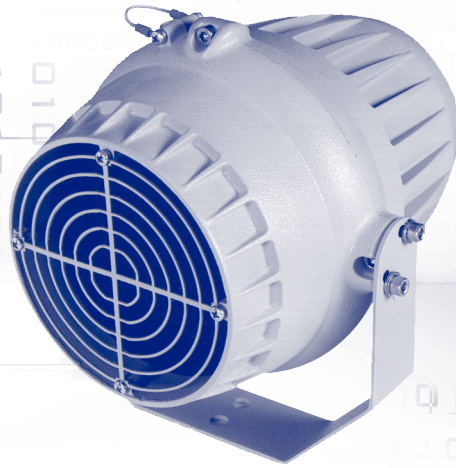


Type 2020

Infra-red Illuminator



The type 2020 range of infra-red illuminators have been designed to offer a cost effective solution to night surveillance, with either 300W or 500W output in a stylish pressure die cast enclosure. These units provide a source of illumination for cameras with spectral response that extends into the infra-red region. To simplify operation and installation each illuminator is supplied with a built-in 25 lux light detector unit. These light-weight weatherproof assemblies have protective coated toughened glass filters and choice of sealed beam bulb. Replacement bulbs can be fitted in seconds. Full installation and maintenance instructions are provided with each unit.

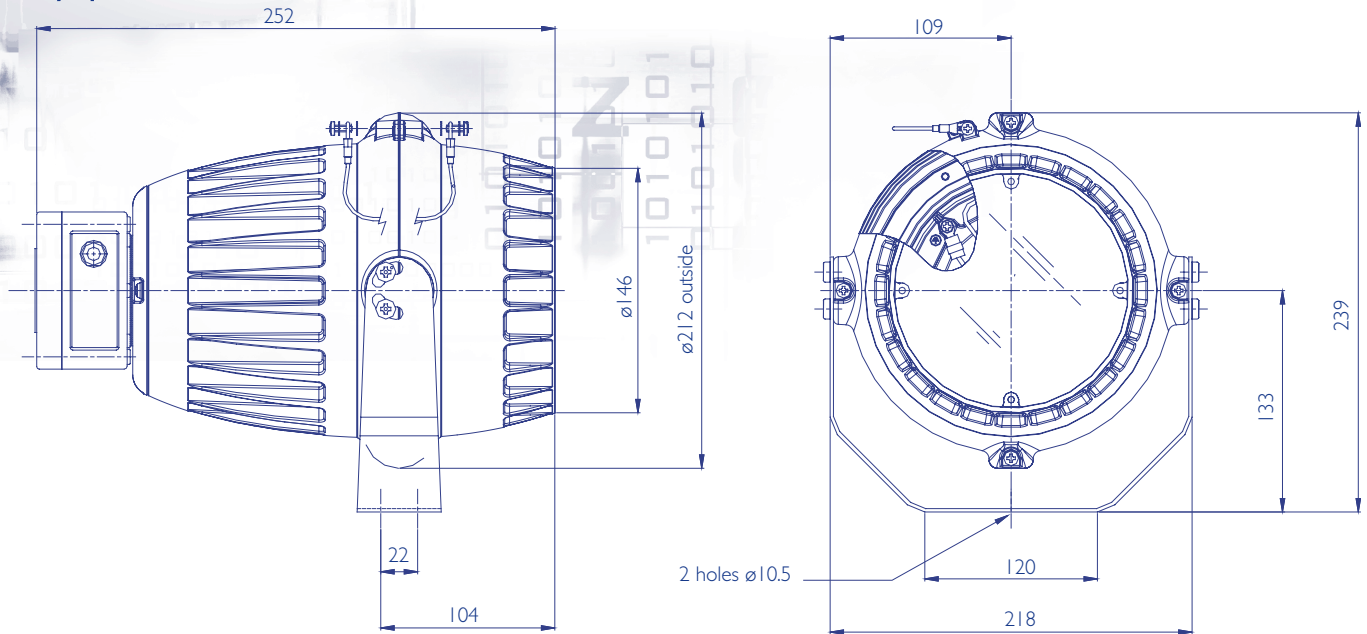
build options

- /L20/300N = 300Watt spot beam
- 2020/300M = 300 Watt medium beam
- 2020/300W = 300Watt wide beam
- 2020/500N = 500 Watt spot beam
- 2020/500M = 500 Watt medium beam
- /SG = Stone guard
- /CL = White light version

benefits

- **CONSTRUCTED FROM ZINTEC SHEET, POWDER COATED & STOVED**
- **OPTIONAL 715NM OR 830NM GLASS FILTER**
- **BULB LIFE: 2020/300-2000HRS, 2020/500-4000HRS**
- **MOUNTINGS FOR INFRA-RED ILLUMINATORS ARE AVAILABLE ON TYPE 428 AND TYPE 642 BRACKETS**
- **AVAILABLE IN A RANGE OF BEAM ANGLES**
- **BUILT-IN 25 LUX LIGHT DETECTOR ON ADJUSTABLE MOUNTING**
- **WEATHERPROOF TO BS.EN 60529 LEVEL IP 66**

Type 2020 Infra-red Illuminator



All Dimensions in millimetres

Specification

LAMP

- | | | | | |
|-------------------|------------------|------------------|-------------------|------------------|
| 2020/300W | 2020/300M | 2020/300N | 2020/500M | 2020/500N |
| • 230Volt 300Watt | Par56 | | • 230Volt 500Watt | special Par56 |

WEIGHT

- 3kg

FILTERS

- Toughened glass 3mm thick

TRANSMISSION

- Better than 90%

ILLUMINATION 50 METRES

- | | | | | |
|------------------|------------------|------------------|------------------|------------------|
| 2020/300W | 2020/300M | 2020/300N | 2020/500M | 2020/500N |
| • 2 lux | • 9 lux | • 16 lux | • 6 lux | • 48 lux |

ILLUMINATION 100 METRES

- | | | | | |
|------------------|------------------|------------------|------------------|------------------|
| 2020/300W | 2020/300M | 2020/300N | 2020/500M | 2020/500N |
| - | • 1.75 lux | • 4 lux | • 1.5 lux | • 12 lux |

ILLUMINATION 200 METRES

- | | | | | |
|------------------|------------------|------------------|------------------|------------------|
| 2020/300W | 2020/300M | 2020/300N | 2020/500M | 2020/500N |
| - | - | • 1 lux | • 0.4 lux | • 3 lux |

BEAM ANGLES

- | | | | | |
|--------------------|--------------------|--------------------|--------------------|--------------------|
| 2020/300W | 2020/300M | 2020/300N | 2020/500M | 2020/500N |
| • horizontal - 60° | • horizontal - 30° | • horizontal - 20° | • horizontal - 39° | • horizontal - 11° |
| • vertical - 30° | • vertical - 20° | • vertical - 15° | • vertical - 23° | • vertical - 9° |

PLEASE CHECK THE WEBSITE FOR LATEST DEVELOPMENTS

FOR FURTHER INFORMATION PLEASE CONTACT

Dedicated Micros UK

Dennard UK

Dedicated Micros USA

Dedicated Micros Europe

Dedicated Micros Belgium

Dedicated Micros Ltd. Slovenia

Dedicated Micros France

Dedicated Micros Asia

Dedicated Micros Australia

Dedicated Micros Malta

Dedicated Micros Middle East

11 Oak Street, Swinton, Manchester, M27 4FL, UK Tel: +44 (0) 161 727 3200 Fax: +44 (0) 161 727 3300.

Tel: +44 (0)1252 614884 Fax: +44 (0)1252 626013 e-mail: sales@dennard-cctv.com

14434 Albemarle Point Place, Suite 100, Chantilly, Virginia 20151 USA Freephone: 800 864 7539
Tel: +1 703 904-7738 Fax: +1 703 904-7743 and 23456 Hawthorne Blvd. Suite 100, Torrance, CA 90505,
Tel: +1 310 791-8666 Fax: +1 310 791-9877.

Neckarstraße 15, 41836 Hückelhoven, Germany Tel: +49 243 352 580 Fax: +49 24 33 52 58 10
e-mail: infobox@dmicros.com

Joseph Chantraineplantsoen I, 3070 Kortenberg, Belgium Tel: +32 2751 3480, Fax: +32 2751 3481
e-mail: dmbenelux@dmicros.com

Delavska cesta 26, 4208 Sencur-Slovenija Tel: +386 (4) 279 18 90, Fax: +386 (4) 279 18 91
e-mail: dmslovenia@dmicros.com

9-13 rue du Moulinet, 75013 Paris, France Tel: +33 1 45 81 99 99, Fax: +33 1 45 81 99 89.
e-mail: dmfrance@dmicros.com

16 New Industrial Road, #03-03 Hudson Techno Centre, Singapore 536204 Tel: +65 62858982 Fax: +65 62858646.

5/3 Packard Avenue, Castle Hill, NSW 2154, Australia Tel: +612 9634 4211 Fax: +612 9634 4811.

UB 2, San Gwann Ind. Est., San Gwann, Malta Tel: +356 21483 673 Fax: +356 21449 170.

Building 12, Suite 302, P.O.Box 500291, Dubai Internet City, Dubai, United Arab Emirates
Tel: +971 (4) 390 1015, Fax: +971 (4) 390 8655.

The manufacturer reserves the right to change the specification without notice.

All trademarks are courtesy of registered owners.
DM is a trademark of Dedicated Microcomputers Group Ltd.
REF: DM01/05



www.dedicatedmicros.com

Doc 74 0195