



ADPRO®



Long-Range Curtains - PRO-100, 100H & 250H

This line of intrusion detectors is the most effective and advanced family of narrow curtain, long-range motion detectors on the market today. All detectors feature telescope-like precision mirror glass optics, digital signal processing and continuous, gap-free curtain coverage for an exceptional mounting height of up to 4 metres (13 ft).

▶ Range: 120 – 150 m (400 ft – 500 ft)	▶ Two-way RS 485 communication
▶ Weatherproof housing with intergrated mounting hardware (PRO-250H requires additional bracket)	▶ Separate opto-coupler output for each detection zone (PRO-250H only)
▶ Heated precision mirror glass optics on all "H" versions	

Why Xtralis ADPRO?

- ▶ The lowest nuisance alarm rates
- ▶ Remote access for configuration and management (via databus)
- ▶ Unique anti-vandal feature to detect changes in detectors alignment
- ▶ 4 metre (13 ft) mounting height for minimal risk of vandalism
- ▶ Integrated wall-mount bracket
- ▶ Wide power supply range 10.5 to 30 V DC or 24 V AC (auto-sensing)
- ▶ Low installation and maintenance cost



Medium-Range Curtains - PRO-45, 45H, 45D & 45DH

Xtralis ADPRO medium-range detectors feature narrow curtain coverage and are the ideal choice for monitoring any perimeter section that is too short for long-range curtains. The award-winning directional detectors (PRO-45D, PRO-45DH) can be configured to trigger an alarm only if an intruder crosses the curtain in a specified direction or bi-directionally. They feature the lowest possible nuisance alarm rate in either configuration compared to standard curtains.

▶ Range: 50 - 60 m (165 - 200 ft)	▶ Two-way RS 485 communication
▶ Weatherproof housing with integrated mounting hardware	▶ Directional discrimination (PRO-45D, PRO-45DH)
▶ Heated precision mirror optics on all "H" versions	

Application:

- ▶ Outdoor perimeter and area detection
- ▶ Fence-line protection
- ▶ Proactive video surveillance
- ▶ Providing reliable detection for remotely monitored and detector activated CCTV systems for maximum Central Monitoring Station profitability
- ▶ Conditional triggering of CCTV, PTZ and dome cameras
- ▶ Conditional triggering of video-switchers for event-driven CCTV



Volumetric Coverage - PRO-18, 18W, 18WH, 18H, 30, 40, 50, 85 & 85H

Xtralis ADPRO volumetric detectors are designed to monitor the inside of a perimeter. The PRO-85 and PRO-85H long-range versions feature three independent detection zones that can be configured individually.

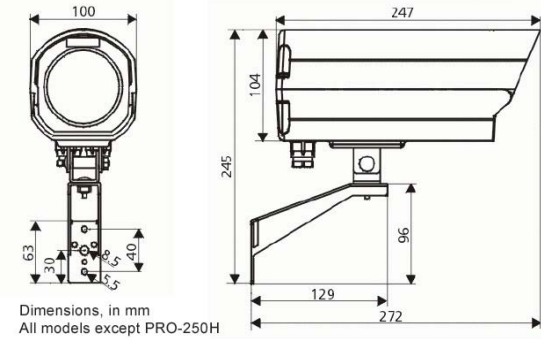
▶ Range: 21 - 75 m (70 - 250 ft)	▶ Two-way RS 485 communication
▶ Weatherproof housing with integrated mounting hardware	▶ Models with various opening angles of 15° to 90°
▶ Heated precision mirror optics on all "H" versions	

Accessories:

- ▶ Configuration and commissioning software
- ▶ IF 485B detector-to-PC interface
- ▶ CT 45 cordless walk-tester
- ▶ AD 851 alignment help telescope for detectors with curtain-shaped coverage
- ▶ AD 653 bracket for PRO-250H
- ▶ ZA P-L1 pole mount bracket

DETECTOR OVERVIEW

Overview curtain models	Medium-range curtain		Directional medium-range curtain		Long-range curtain		Long-range curtain Steep look down
Detector	PRO-45	PRO-45H	PRO-45D	PRO-45DH	PRO-100	PRO-100H	PRO-250H
Coverage L x W (H-Version)	50 m x 3.3 m (165 ft x 11 ft)	60 m x 3.9 m (200 ft x 13 ft)	50 m x 3.6 m (165 ft x 12 ft)	60 m x 4.2 m (200 ft x 14 ft)	120 m x 2.7 m (400 ft x 9 ft)	150 m x 3.3 m (500 ft x 11 ft)	150 m x 3.3 m (500 ft x 11 ft)
Optics	Segmented Precision Mirror		Segmented Precision Mirror		Precision Glass Mirror		Precision Glass Mirror
Side View Standard Version (H-Version)							
Top View, Width at Nominal Range Standard Version (H-Version)							



Overview volume models	Volumetric Wide-Angle		Volumetric Medium-Range				Volumetric Long-Range			
Detector	PRO-18W	PRO-18WH	PRO-18	PRO-18H	PRO-30 ¹	PRO-40 ²	PRO-50	PRO-85	PRO-85H	
Coverage L x W (H-Version)	21 m x 24 m (70 ft x 80 ft)	27 m x 30 m (90 ft x 100 ft)	24 m x 21 m (80 ft x 70 ft)	30 m x 27 m (100 ft x 90 ft)	30 m x 20 m (100 ft x 65 ft)	40 m x 10 m (130 ft x 33 ft)	50 m x 30 m (165 ft x 100 ft)	60 m x 18 m (200 ft x 60 ft)	75 m x 23 m (250 ft x 75 ft)	
Optics	Segmented Precision Mirror		Segmented Precision Mirror				Precision Glass Mirror			
Side View Standard Version (H-Version)										
Top View, Standard Version (H-Version) Width at Nominal Range										

Technical Data	Standard versions	H versions
Supply Voltage	10.5 - 30 V DC or 24 V AC (±15%) (auto-sensing)	
Current (not activated)	18 mA @ 12 V DC, 10 mA @ 24 V AC	Standard specs. plus heating power @ -40°C (-40°F) max. 2 W
Alarm Relay Output	1 SPST 30 V DC, max. 100 mA	
Transistor Open Collector	1 NPN 30 V DC, max. 50 mA	
Cover Switch	30 V DC, 100 mA	
Front Window	PE Filter, IR Transmissive	Silicon wafer
Operating Temperature	-20 to 60 °C (-4 to 140 °F)	-40 to 60 °C (-40 to 140 °F)

All Units comprise the following:

- ▶ Heavy duty weatherproof housing
- ▶ Mounting height 2.5 to 4 metres (8 to 13 ft)
- ▶ Integral wall mounting brackets on all models (except PRO-250H)
- ▶ High precision mirror optics
- ▶ Silicon wafer window (H-versions only)
- ▶ Digital signal processing
- ▶ Data port
- ▶ Continuous gap free curtain coverage (curtain models only)

Notes:

- ¹ Use PRO-18H as H-version of PRO-30
- ² Use PRO-45H or PRO-45DH as H-version of PRO-40